

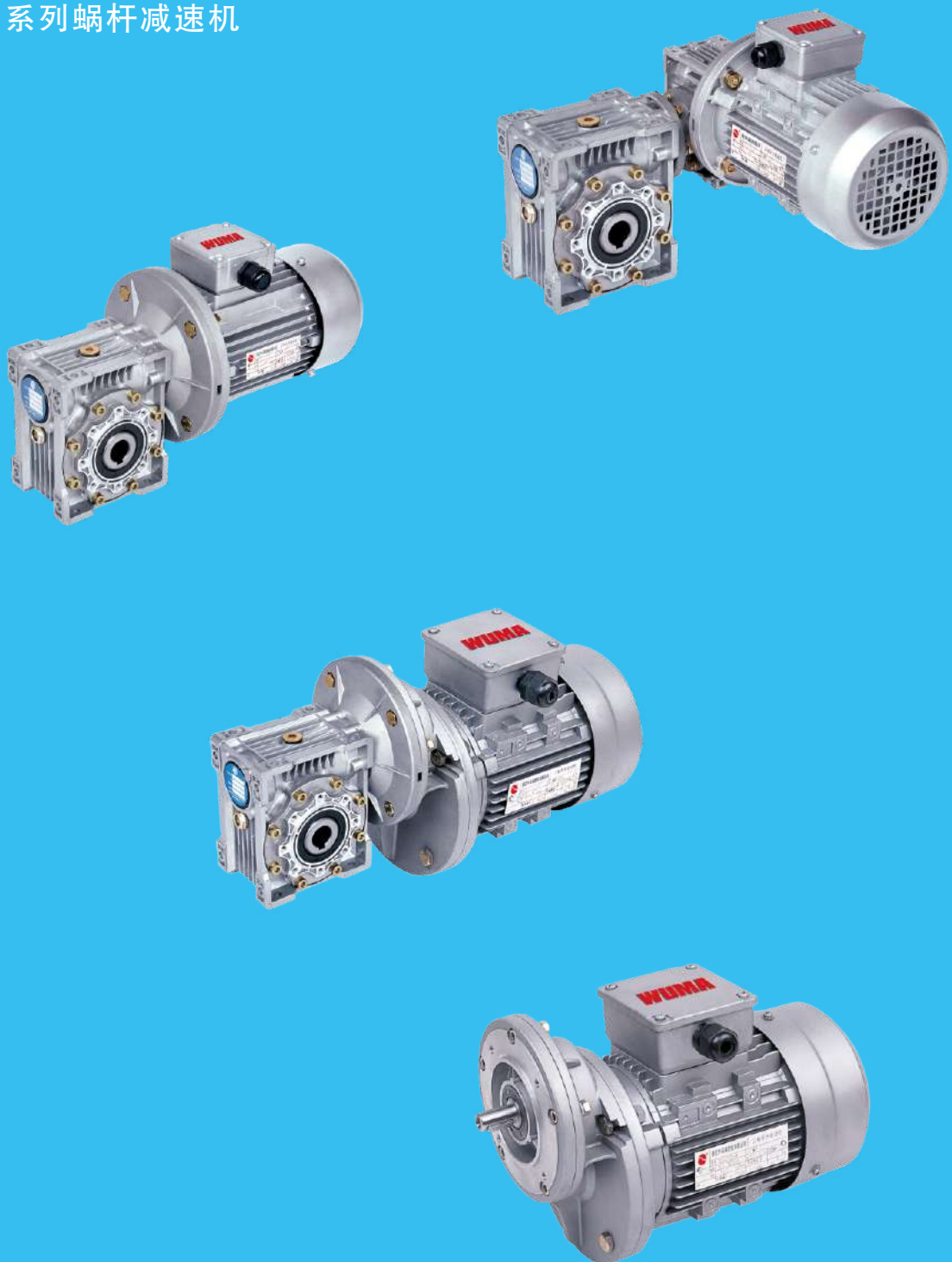
Content 目录

1.RV系列蜗杆减速机 RV Series worm reducer	P01
①.标准型RV系列蜗杆减速机 Standard type RV series worm reducer	P01
②.WMRV系列蜗杆减速机与MB、MBN系列 无极变速机（基本型）组合型 WMRV series the technical date of unit which is consisted of Worm micro reducer and MB、MBN series variator(basic type)	P30
③ PC系列齿轮减速机及PC+WMRV组合型齿轮-蜗杆减速机 Structural Performance of PC Serial Gear Reducer	P38
2.MB、MBN系列行星锥盘无极变速机及其（基本型） 与X系列摆线针轮减速机的组合型 MB、MBN series planetary cone-disk variator and X series cycloid combined reducer	P51
3.WB 系列微型摆线针轮减速机 WB series cycloid reducer	P82
4. X、B、JXJ 系列摆线针轮减速机 X、B、JXJ series cycloid reducer	P89
5. 减（变）速机订货须知 Notices in speed reducer (speed changer) procurement	P108

RV SERIES

worm reducer

RV 系列蜗杆减速机



RV系列蜗杆减速机 RV Series worm reducer

蜗杆减速机性能特点

The advantages of worm reducer

方箱外形, 优质铝合金压铸箱体, 美观大方。

散热性能优良, 承载能力大。

多面安装.空心输出轴结构.另配有各种输入.输出方式,并能方便的与其他传动机械组合,适应性强.

机型小巧.结构紧凑,体积小.重量轻.节省安装空间.

传动平稳.噪音小.

安全可靠.经济耐用.

High quality Aluminum alloy ,appearance elegant, efficient radiator, high carrying ability.

Installed in multi-surfaces,hollow output shaft, various input and output type, conjoin other transmission machinery easily.

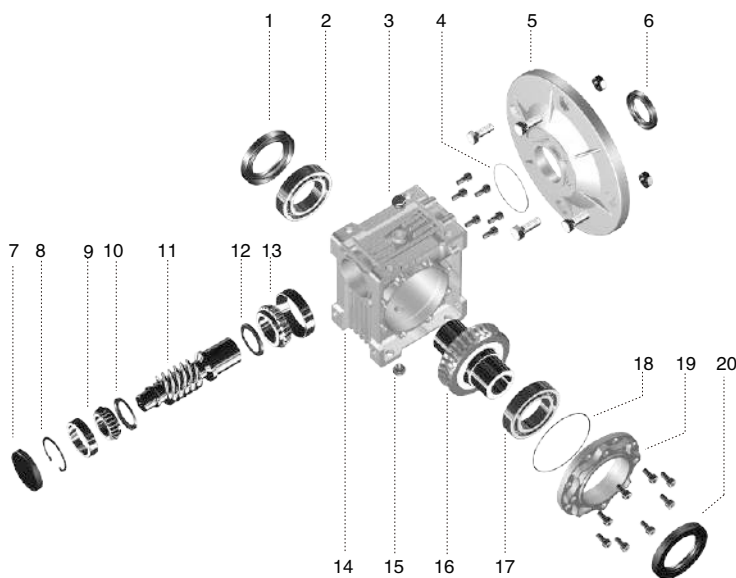
Small size, constriction compact, lightweight, and save place for mounting.

Run steadily and low noise.

High reliability and high efficiency.

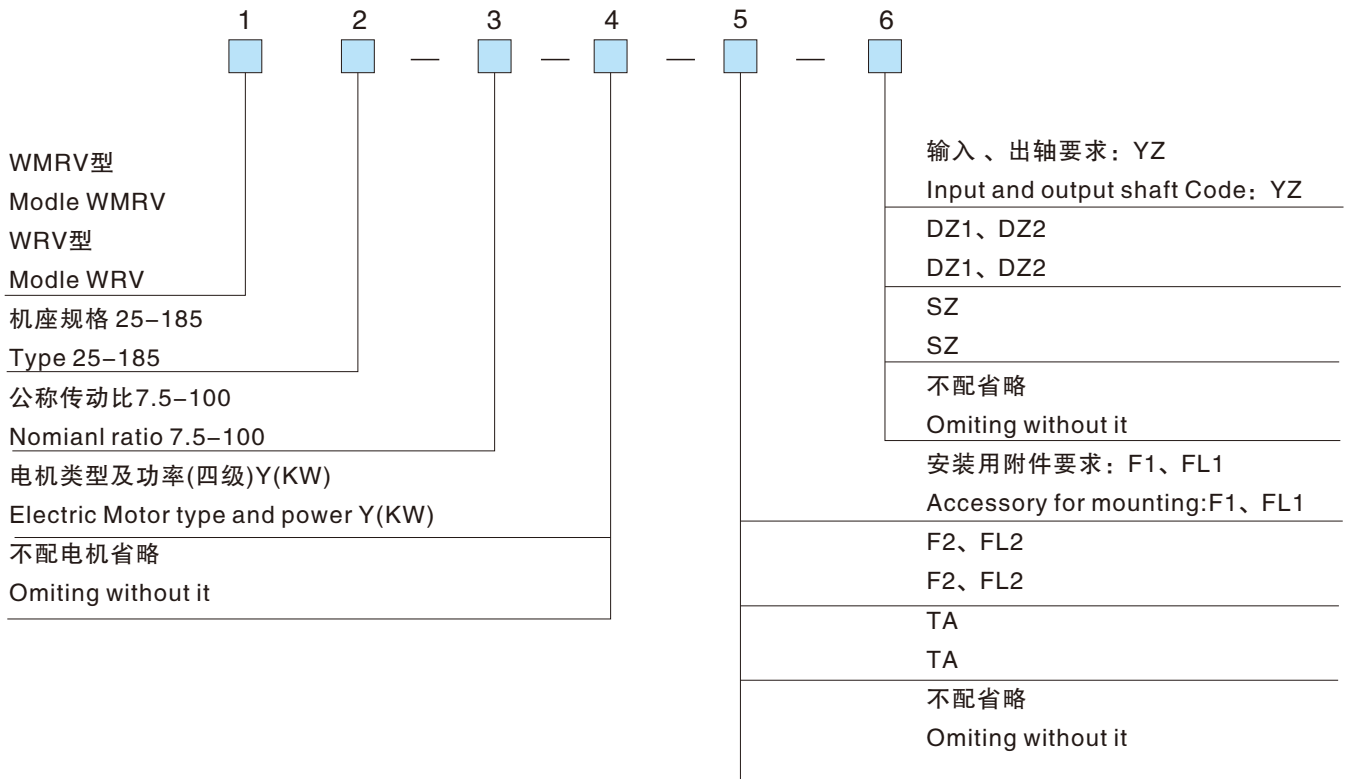
产品结构图

Basic structure



序号	名称	Name
1	油封	Oil seal
2	轴承	Bearing
3	通气帽	Breather vent
4	O型密封圈	O-type seal ring
5	输入法兰	Input flange
6	油封	Oil seal
7	密封端盖	Seal and cover
8	孔用弹性挡圈	Circlip hole use
9	轴承	Bearing
10	挡油盘	Oil baffle disc
11	蜗杆	Worm
12	挡油盘	Oil baffle disc
13	轴承	Bearing
14	箱体	Tank
15	螺塞	Plug screw
16	蜗轮	Gear
17	轴承	Bearing
18	O型密封圈	O-type seal ring
19	轴承端盖	Bearing and cover
20	油封	Oil seal

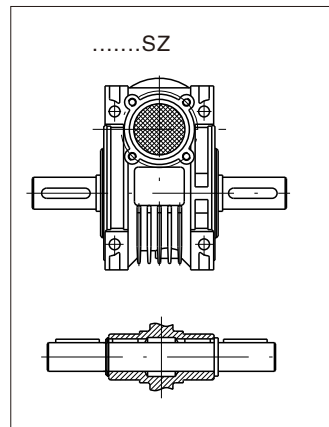
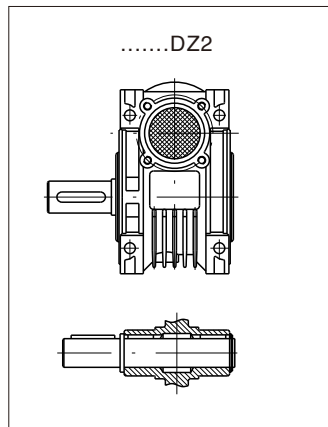
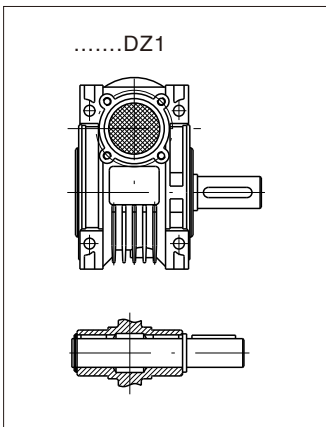
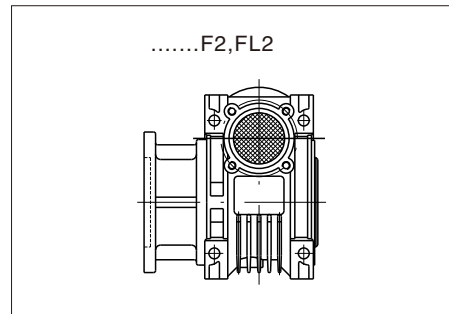
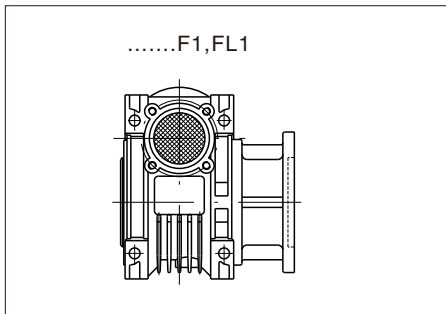
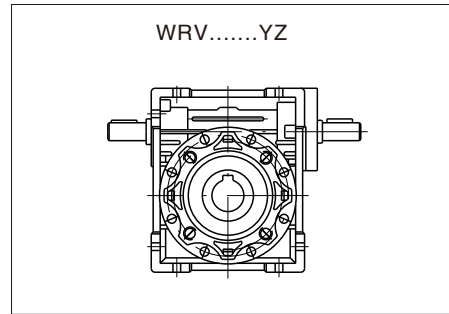
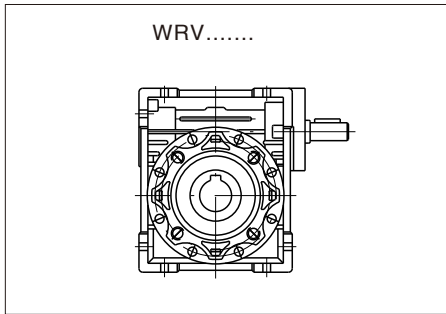
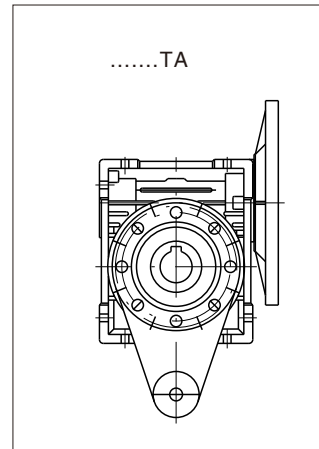
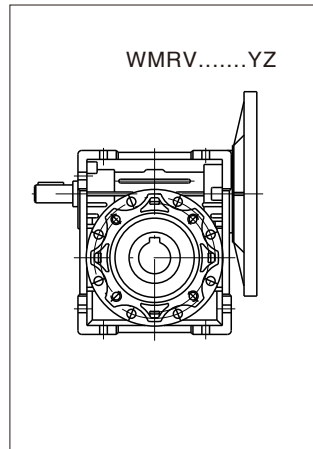
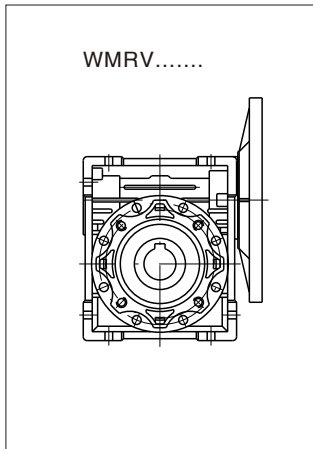
标记方式 Model designation



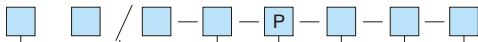
代号标记注解
Sign explantion

WMRV	带输入法兰式减速机 (配合电机使用) With input flange (using with electric motor)
WRV	输入轴式减速机 With input shaft
25-30-40-50-63-75-90-110-130-150-185	减速机的机座规格 (中心距参数) Type(centre distance)
7.5-10-15-20-25-30-40-50-60-80-100	公称传动比 Nominal ratio
Y0.18	配普通Y系列电动机, 功率为0.18KW With electric motor in series Y, the power is 0.18KW
YEJ0.18	配制动电机, 功率为0.18KW With breaking motor, the power is 0.18KW
F.....(1-2).FL.....(1-2)	输出法兰及安装型式 (F-输出短法兰, FL-输出长法兰) Output flange and mounting position (F-output short flang. FL-output long flang)
TA	转矩臂 With torque arm
YZ	配延伸蜗杆轴 With extention worm shaft
DZ1,DZ2	配单向输出轴 With single output shaft
SZ	配双向输出轴 With double output shaft

图1
(Chart 1)



联体组合式RV系列蜗杆减速机标记方式：
Indication for combination RV series worm speed reducer



- 输入、出轴要求: YZ、DZ1、DZ2、SZ;不配省略
Input/output shaft requirement:YZ、DZ1、DZ2、SZ;omitted when not required.
- 安装附件要求: F1、F2、FL1、FL2、TA;不配省略
Required accessories,F1、F2、FL1、FL2、TA;omitted when not required.
- 安装形式
Mounting type
- 配电机类型及功率: 不配省略(配输入法兰应注明)P为电机极数,4极时省略。
Motor type and power ,omitted when not required(indicated when input flange requirde)P: motor pole number,4 poles omittdde
- 机组公称传动比
Normal ratio for combination set
- 规格(前为第一级机座号,后为第2级机座号)
Size(1st stage,2nd stage)
- 类型: WMRV、WRV
Type:WMRV、WRV

安装方式及代号
Mounting type and it is symbol

<p>AS1</p>	<p>AS2</p>	<p>BS1</p>	<p>BS2</p>
<p>VS2</p>	<p>VS1</p>	<p>PS1</p>	<p>PS2</p>

标记示例 Example of sign

1.WMRV40-30-Y0.18-F1-SZ

意为：WMRV型，机座规格40，公称传动比30，配Y系列0.18KW电机、F1输出法兰、双输出轴

2.WRV40-30-F1

意为：WRV型 机座规格40，公称传动比30，不配电机，配输出法兰F1

1.WMRV40-30-Y0.18-F1-SZ

Means:mokel:WMRV size:40

Nominal ratio:30

Equipped electric motor:0.18KW in series Y

Output flange:F1

Double output shaft:SZ

2.WRV40-30-F1

Means:mokel:WRV size:40

Nominal ratio:30

Without electric motor

Output flange:F1

使用维护要求 The requirement of using and maintain

安装时请不要对减速机输出部件，箱体施加压力，联接时请满足机器（械）与减速机之间的同轴度与垂直度的相应要求。

减速机初始运行至400小时应重新更换润滑油，其后的换油周期约为4000小时。

箱体内应保留足够的润滑油量，并定时检查。当发现油量减少或油质变坏时应及时补足或更换润滑油。

（润滑油牌号见附表）

应注意保持减速机外观清洁，及时清除灰尘、污物以利于散热。

Do not make pressure on output part and box when mounting it ,

It must replace lubrication oil after it runs 400 hours when first using it ,after it , replace lubrication oil per running 4000 hours.

It must keep coaxial degree and vertical degree in just lever when conjoining reducer with other device .

Must keep plenty of oil lubrication in the reducer and check it often.

Must add or replace in time when oil reduce or get bad. (lubrication type see attached table)

It is useful to keep reducer clean so that reducer radiates warmth more efficiently.

减速机的安装式及对应的加油量、润滑油品种

Installation type of reducer and the corresponding oil feeding amount and lubrication varieties

1. 安装尺寸 Mounting size ○注: . . . 加油孔及通气孔 Oil filling hole and air hole ● . . . 视镜 Oil level view mirror ● . . . 排油塞 Oil drain plug

2. 不同安装型式对应的加油量 Oil amount to various installation patterns

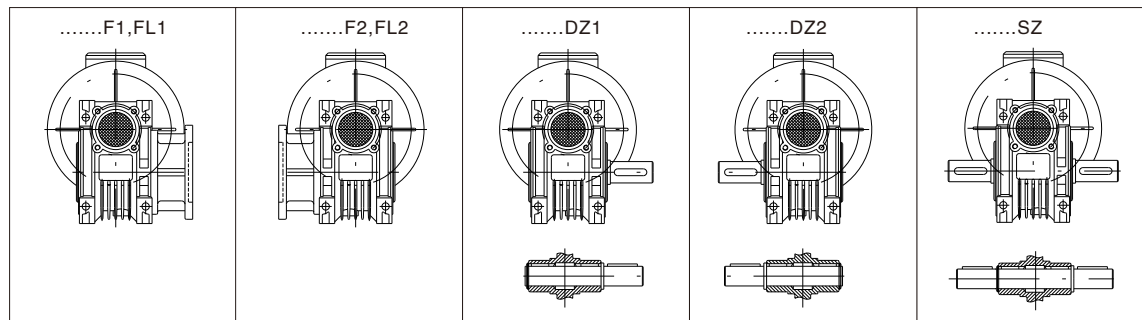
蜗杆减速机型号 Types of worm speed reducers	RV25	RV30	RV40	RV50	RV63	RV75	RV90	RV110	RV130	RV150	RV185	
润滑油 (公升) Lubricating oil	B3	0.02	0.04	0.08	0.15	0.3	0.55	1.0	3.0	4.5	7.0	10
	B6.B7								2.5	3.5	5.4	8.0
	B8								2.2	3.3	5.1	7.5
	V5								3.0	4.5	7.0	10
	V6								2.2	3.3	5.1	8.0

3. 润滑油品种 Lubricating oil

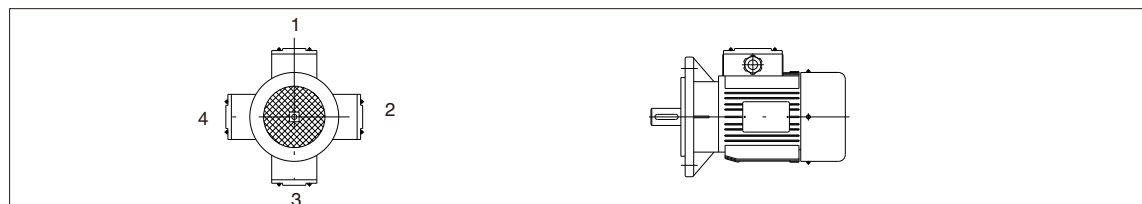
蜗杆减速机型号 Types of worm speed reducers	RV25、RV40、RV50、RV63、RV75、RV90	RV110、RV130、RV150、RV185			
润滑油 Lubricant	Oil sintetice synthetic oil	Oil sintetice synthetic oil / Oil minerale mineral oil			
环境温度 Ambient Temperature	-25°C ~ +50°C	-25°C ~ +50°C / -5°C ~ +40°C / -15°C ~ +40°C			
ISO	VG320	VG320 / VG460 / VG320			
国内使用 Used in interior	WA460	WA460			
国外使用 Used in foreign countries	AGIP	TELIUM VSF320	TELIUM VSF320	BLASIA 460	BLASIA 220
	SHELL	TIVELA S320	TIVELA S320	OMALA OIL 460	OMALA OIL 220
	ESSO	S220	S220	SPARTAN EP 460	SPARTAN EP 220
	MOBIL	GLYGOYLE 30	GLYGOYLE 30	MOBIL GEAR 634	MOBIL GEAR 630
	CASTROL	ALPHASYN PG 320	ALPHASYN PG 320	ALPHA MAX 460	ALPHA MAX 220
BP	ENERGOL SG-XP 320	ENERGOL SG-XP 320	ENETGOL SG-XP 460	ENETGOL SG-XP 220	

减速机的输出法兰 "F、FL"、输出轴 "DZ、SZ" 安装形式

Installation pattern of output flange F、FL, output spindle DZ、SZ of speed reducers



电机接线盒安装形式 Installation pattern of motor wiring box



减速机的承载能力 The carrying ability of worm micteducer

附表 (Attached table)

蜗杆分度圆滑动速度(m/s) Reference circle of worm slide(m/s)	蜗轮蜗杆油牌号 Lubrication type
≤2.2	G-N680W(G-N460W)
>2.5-5	G-N320W
>5-12	G-N220W

根据表2及表3, 可找出有关减速机的工作系数(sf)

By table 2 and 3, can find out the service factor(sf) about worm reducer.

 表2
(Table 2)

每小时断性操作次数少于10次 NO of starts per hour <10			
加于减速机的负荷性质 Nature of load generated by driven machine	每日工作时数 Hours running per day		
	<2	2~8	8~16
带均衡负荷 Uni form	sf=0.8	sf=1	sf=1.25
带中级震荡 Moderate shock	sf=1	sf=1.25	sf=1.5
带重级震荡 heavy shock	sf=1.25	sf=1.5	sf=1.75

 表3
(Table 3)

每小时断性或连续性操作次数大于10次 NO of starts per hour >10			
加于减速机的负荷性质 Nature of load generates by driven machine	每日工作小时数 Hours running per day		
	<2	2~8	8~24
带均衡负荷 Uniform	sf=1	sf=1.25	sf=1.75
带中级震荡 Moderate shock	sf=1.5	sf=1.75	sf=2
带重级震荡 Heavy shock	sf=1.75	sf=2	sf=2.25

选型参数

Parameter Selections

单级减速机 (法兰输入, 输入转速1400r/min)/(配4级电机)

Single step reducer(flange input,input speed is 1400r/min)/(matched with 4 poles motor)

输出转速 Output speed (r/min)	输出转矩 Output torque (N.m)	使用 系数 (fs)	传动比 Ratio (i)	机型号 Type	输出转速 Output speed (r/min)	输出转矩 Output torque (N.m)	使用 系数 (fs)	传动比 Ratio (i)	机型号 Type
0.06kW					0.12kW				
186.7	2.6	4.2	7.5	WMRV25	46.7	17.2	2.6	30	WMRV40
140	3.4	3.5	10		35	21	1.9	40	
93.3	4.9	2.5	15		28	25	1.5	50	
70	6.1	2.0	20		23.3	28	1.3	60	
46.7	8.2	1.6	30		17.5	34	1.0	80	
35	10	1.3	40		14	38	0.8	100	
28	12	0.9	50						
23.3	14	0.7	60		23.3	29	2.3	60	WMRV50
					17.5	35	1.9	80	
186.7	2.6	6.9	7.5	WMRV30	14	40	1.4	100	
140	3.4	5.4	10		0.18kW				
93.3	4.7	3.8	15		186.7	7.8	2.3	7.5	WMRV30
70	6	3.0	20		140	10	1.8	10	
56	7	3.0	25		93.3	14	1.3	15	
46.7	8	2.5	30		70	18	1.0	20	
35	9.7	1.9	40		56	21	1.0	25	
28	11	1.5	50		46.7	24	0.8	30	
23.3	13	1.3	60						
17.5	14	0.9	80		70	19	2.0	20	WMRV40
0.09kW					56	23	1.7	25	
186.7	3.9	2.8	7.5	WMRV25	46.7	26	1.7	30	
140	5.1	2.4	10		35	32	1.3	40	
93.3	7.3	1.6	15		28	38	1.0	50	
70	9.2	1.3	20		23.3	43	0.8	60	
46.7	12	1.1	30						
35	15	0.9	40		35	32	2.3	40	WMRV50
					28	39	1.9	50	
186.7	3.9	4.6	7.5	WMRV30	23.3	43	1.6	60	
140	5	3.6	10		17.5	52	1.2	80	
93.3	7.1	2.5	15		14	60	0.9	100	
70	9	2.0	20		0.25kW				
56	10	2.0	25		186.7	11	3.6	7.5	WMRV40
46.7	12	1.7	30		140	14	2.8	10	
35	14	1.2	40		93.3	21	1.9	15	
28	17	1.0	50		70	27	1.5	20	
23.3	19	0.9	60		56	32	1.2	25	
					46.7	36	1.3	30	
28	19	2.0	50	WMRV40	35	44	0.9	40	
23.3	21	1.7	60		28	37	0.8	50	
17.5	26	1.3	80						
14	29	1.0	100		70	26	2.7	20	WMRV50
0.12kW					56	32	2.2	25	
186.7	5.2	3.4	7.5	WMRV30	46.7	37	2.3	30	
140	6.7	2.7	10		35	46	1.7	40	
93.3	9.5	1.9	15		28	54	1.4	50	
70	12	1.5	20		23.3	60	1.1	60	
56	14	1.5	25		17.5	72	0.9	80	
46.7	16	1.3	30						
35	19	0.9	40						
28	23	0.8	50						

输出转速 Output speed (r/min)	输出转矩 Output torque (N.m)	使用系数 (fs)	传动比 Ratio (i)	机型号 Type
0.25kW				
28	56	2.4	50	WMRV63
23.3	63	2.0	60	
17.5	78	1.6	80	
14	87	1.4	100	
0.37kW				
186.7	16	2.4	7.5	WMRV40
140	21	1.9	10	
93.3	31	1.3	15	
70	39	1.0	20	
56	47	0.8	25	
46.7	53	0.8	30	
140	21	3.3	10	WMRV50
93.3	31	2.4	15	
70	40	1.8	20	
56	48	1.5	25	
46.7	55	1.5	30	
35	68	1.1	40	
28	80	0.9	50	
23.3	89	0.8	60	
35	70	2.1	40	WMRV63
28	83	1.6	50	
23.3	94	1.4	60	
17.5	115	1.1	80	
14	129	0.9	100	
0.55kW				
186.7	25	2.9	7.5	WMRV50
140	32	2.2	10	
93.3	46	1.6	15	
70	59	1.2	20	
56	71	1.0	25	
46.7	81	1.0	30	
35	80	0.9	40	
70	60	2.2	20	WMRV63
56	73	1.8	25	
46.7	83	1.9	30	
35	105	1.4	40	
28	124	1.1	50	
23.3	140	0.9	60	
35	108	2.0	40	WMRV75
28	129	1.6	50	
23.3	146	1.4	60	
17.5	180	1.1	80	
14	206	0.9	100	
17.5	189	1.5	80	WMRV90
14	221	1.2	100	
186.7	34	2.1	7.5	
140	44	1.6	10	

输出转速 Output speed (r/min)	输出转矩 Output torque (N.m)	使用系数 (fs)	传动比 Ratio (i)	机型号 Type
0.75kW				
93.3	63	1.2	15	WMRV50
70	81	0.9	20	
93.3	63	2.2	15	WMRV63
70	83	1.6	20	
56	100	1.3	25	
46.7	114	1.4	30	
35	143	1.0	40	
56	102	2.0	25	WMRV75
46.7	117	2.0	30	
35	147	1.5	40	
28	177	1.2	50	
23.3	200	1.0	60	
28	184	1.8	50	WMRV90
23.3	212	1.5	60	
17.5	258	1.1	80	
14	302	0.9	100	
1.1kW				
186.7	49	2.6	7.5	WMRV63
140	65	2.0	10	
93.3	93	1.5	15	
70	122	1.1	20	
56	146	0.9	25	
46.7	167	1.0	30	
35	165	0.9	40	
93.3	95	2.1	15	WMRV75
70	123	1.7	20	
56	150	1.3	25	
46.7	171	1.3	30	
35	216	1.0	40	
28	264	0.9	50	
23.3	223	0.8	60	
35	225	1.6	40	WMRV90
28	270	1.3	50	
23.3	311	1.0	60	
17.5	328	0.9	80	
28	281	2.3	50	WMRV110
23.3	324	1.9	60	
17.5	402	1.3	80	
14	473	1.0	100	
1.5kW				
186.7	67	1.9	7.5	WMRV63
140	89	1.5	10	
93.3	127	1.1	15	
70	166	0.8	20	

输出转速 Output speed (r/min)	输出转矩 Output torque (N.m)	使用 系数 (fs)	传动比 Ratio (i)	机型号 Type
1.5kW				
140	90	2.2	10	WMRV75
93.3	130	1.5	15	
70	168	1.3	20	
56	205	1.0	25	
46.7	233	1.0	30	
70	171	2.1	20	WMRV90
56	210	1.6	25	
46.7	239	1.7	30	
35	307	1.2	40	
28	368	0.9	50	
23.3	424	0.8	60	WMRV110
35	319	2.2	40	
28	384	1.7	50	
23.3	442	1.4	60	
17.5	548	0.9	80	
2.2kW				
186.7	100	1.8	7.5	WMRV75
140	132	1.5	10	
93.3	191	1.0	15	
70	240	0.9	20	
46.7	269	0.8	30	
186.7	101	2.9	7.5	WMRV90
140	134	2.3	10	
93.3	194	1.9	15	
70	252	1.4	20	
56	308	1.1	25	
46.7	351	1.2	30	WMRV110
35	433	1.0	40	
28	393	0.9	50	
70	255	2.5	20	
56	315	2.2	25	
46.7	356	2.0	30	WMRV130
35	468	1.5	40	
28	563	1.2	50	
23.3	648	1.0	60	
35	468	2.2	40	
28	563	1.7	50	WMRV150
23.3	648	1.4	60	
17.5	816	1.0	80	
14	869	0.8	100	
28	570	2.5	50	
23.3	657	1.9	60	WMRV150
17.5	816	1.4	80	
14	960	1.0	100	

输出转速 Output speed (r/min)	输出转矩 Output torque (N.m)	使用 系数 (fs)	传动比 Ratio (i)	机型号 Type	
3kW					
186.7	136	1.4	7.5	WMRV75	
140	180	1.1	10		
93.3	261	0.8	15		
186.7	138	2.1	7.5	WMRV90	
140	182	1.7	10		
93.3	264	1.4	15		
70	344	1.0	20		
56	420	0.8	25		
46.7	479	0.9	30	WMRV110	
93.3	264	2.5	15		
70	348	1.9	20		
56	430	1.6	25		
46.7	485	1.5	30		
35	638	1.1	40	WMRV130	
28	767	0.9	50		
56	429	2.2	25		
46.7	491	2.1	30		
35	638	1.6	40		
28	767	1.3	50	WMRV150	
23.3	884	1.0	60		
17.5	1113	0.8	80		
28	777	1.8	50		
23.3	896	1.4	60		
17.5	1113	1.0	80	WMRV150	
14	1310	0.8	100		
4kW					
186.7	182	1.0	7.5		WMRV75
140	240	0.8	10		
186.7	184	1.6	7.5	WMRV90	
140	243	1.3	10		
93.3	352	1.0	15		
70	458	0.8	20	WMRV110	
140	242	2.5	10		
93.3	352	1.9	15		
70	464	1.4	20		
56	573	1.2	25		
46.7	647	1.1	30	WMRV130	
56	573	1.6	25		
46.7	655	1.6	30		
35	851	1.2	40		
28	1023	1.0	50		
23.3	1179	0.8	60		

输出转速 Output speed (r/min)	输出转矩 Output torque (N.m)	使用系数 (fs)	传动比 Ratio (i)	机型号 Type	
4kW					
28	1036	1.4	50	WMRV150	
23.3	1195	1.1	60		
17.5	1484	0.8	80		
28	1019	2.3	50	WMRV185	
23.3	1195	1.9	60		
17.5	1500	1.4	80		
14	1766	1.0	100		
5.5kW					
186.7	253	2.2	7.5	WMRV110	
140	334	1.8	10		
93.3	484	1.4	15		
70	638	1.0	20		
56	711	0.9	25		
140	333	2.5	10	WMRV130	
93.3	490	1.9	15		
70	645	1.4	20		
56	788	1.2	25		
46.7	900	1.2	30		
35	1171	0.9	40		
28	1103	0.8	50		
70	645	2.0	20	WMRV150	
56	788	1.5	25		
46.7	934	1.3	30		
35	1171	1.3	40		
28	1426	1.0	50		
23.3	1643	0.8	60		
56	777	2.5	25		WMRV185
46.7	864	2.5	30		
35	1168	2.2	40		
28	1402	1.7	50		
23.3	1643	1.4	60		
17.5	2063	1.0	80		
7.5kW					
186.7	345	1.6	7.5	WMRV110	
140	455	1.3	10		
93.3	660	1.0	15		
186.7	349	2.1	7.5	WMRV130	
140	455	1.8	10		
93.3	668	1.4	15		
70	880	1.0	20		
56	1074	0.9	25		
46.7	1228	0.8	30		
35	1596	0.7	40		

输出转速 Output speed (r/min)	输出转矩 Output torque (N.m)	使用系数 (fs)	传动比 Ratio (i)	机型号 Type
7.5kW				
70	880	1.5	20	WMRV150
56	1074	1.1	25	
46.7	1274	0.9	30	
35	1596	1.0	40	
56	1060	1.8	25	WMRV185
46.7	1179	1.9	30	
35	1593	1.6	40	
28	1911	1.2	50	
23.3	2240	1.0	60	
11kW				
186.7	512	2.3	7.5	WMRV150
140	675	1.8	10	
93.3	990	1.3	15	
70	1291	1.0	20	
56	1576	0.8	25	
93.3	922	1.9	15	WMRV185
70	1274	1.8	20	
56	1554	1.2	25	
46.7	1729	1.3	30	
35	2336	1.1	40	
28	2803	0.8	50	
15kW				
186.7	698	1.7	7.5	WMRV150
140	921	1.3	10	
93.3	1351	0.9	15	
70	1760	0.7	20	
140	900	2.0	10	WMRV185
93.3	1257	1.4	15	
70	1737	1.3	20	
56	2120	0.9	25	
46.7	2357	0.9	30	
18.5KW				
186.7	823	2.1	7.5	WMRV185
140	1110	1.6	10	
93.3	1550	1.1	15	
70	2143	1.0	20	
22KW				
186.7	979	1.8	7.5	WMRV185
140	1320	1.3	10	
93.3	1844	0.9	15	
70	2548	0.9	20	

双级减速机 (法兰输入, 输入转速1400r/min)/(配4级电机)
 Double step reducer(flange input,input speed is 1400r/min)/(matched with 4 poles moter)

RV SERIES

输出转速 Output speed (r/min)	输出转矩 Output torque (N.m)	使用系数 (fs)	高速级传动比 High speed transmission ratio (i1)	低速级传动比 Low speed transmission ratio (i2)	总传动比 General transmission ratio (i)	组合机 型规格 Combination model size
0.06kW						
14	25	1.3	10	10	100	25/30
9.3	32	0.9	10	15	150	
7	41	0.7	10	20	200	
5.6	44	0.8	10	25	250	
4.7	59	1.2	10	30	300	25/40
3.5	71	0.9	10	40	400	
2.8	82	0.7	20	25	500	
2.3	101	0.6	20	30	600	
1.9	116	0.5	25	30	750	
1.6	143	0.5	30	30	900	
1.2	171	0.4	30	40	1200	
0.9	197	0.3	50	30	1500	
0.78	217	0.3	60	30	1800	
0.6	268	0.2	60	40	2400	
0.5	324	0.2	60	50	3000	
0.4	294	0.1	50	80	4000	
0.3	356	0.1	50	100	5000	
4.7	57	1.3	10	30	300	30/40
3.5	70	0.9	10	40	400	
2.8	96	0.6	20	25	500	
2.3	104	0.7	20	30	600	
1.9	121	0.6	25	30	750	
1.6	139	0.5	30	30	900	
1.2	166	0.4	30	40	1200	
0.9	196	0.4	50	30	1500	
0.78	218	0.3	60	30	1800	
0.58	261	0.2	60	40	2400	
0.4	300	0.2	80	40	3200	
0.4	279	0.1	50	80	4000	
0.28	338	0.1	50	100	5000	
1.6	141	1.0	30	30	900	30/50
1.2	169	0.7	30	40	1200	
0.93	199	0.7	50	30	1500	
0.78	222	0.7	60	30	1800	
0.6	266	0.5	60	40	2400	
0.5	307	0.4	60	50	3000	
0.35	288	0.3	50	80	4000	
0.29	311	0.3	60	80	4800	
0.9	203	1.1	30	50	1500	30/63
0.78	225	0.9	30	60	1800	
0.58	276	0.8	60	40	2400	
0.47	319	0.7	60	50	3000	
0.35	306	0.6	50	80	4000	
0.28	360	0.4	50	100	5000	
0.6	330	1.1	60	40	2400	40/75
0.47	377	0.8	60	50	3000	

输出转速 Output speed (r/min)	输出转矩 Output torque (N.m)	使用系数 (fs)	高速级传动比 High speed transmission ratio (i1)	低速级传动比 Low speed transmission ratio (i2)	总传动比 General transmission ratio (i)	组合机 型规格 Combination model size
0.06kW						
0.35	355	0.7	50	80	4000	40/75
0.28	419	0.5	50	100	5000	
0.5	405	1.4	60	50	3000	40/90
0.35	365	1.3	50	80	4000	
0.28	431	1.0	50	100	5000	
0.09kW						
14	37	0.8	10	10	100	25/30
9.3	49	0.6	10	15	150	
7	62	0.5	10	20	200	
5.6	66	0.5	10	25	250	
4.7	75	0.4	10	30	300	
3.5	107	0.3	10	40	400	
2.8	115	0.2	20	25	500	
2.3	135	0.2	20	30	600	
1.9	151	0.2	25	30	750	
1.6	178	0.2	30	30	900	
1.2	212	0.1	30	40	1200	
0.9	247	0.1	50	30	1500	
0.78	304	0.1	60	30	1800	
0.58	340	0.1	60	40	2400	
0.47	405	0.1	60	50	3000	
4.7	88	0.8	10	30	300	30/40
3.5	107	1.2	10	40	400	30/50
2.8	123	1.0	10	50	500	
2.3	159	0.9	20	30	600	
1.9	185	0.8	25	30	750	
1.6	212	0.7	30	30	900	
1.6	200	1.0	15	60	900	30/63
1.2	263	0.9	30	40	1200	
0.93	305	0.7	30	50	1500	
0.9	359	1.1	50	30	1500	40/75
0.78	404	1.0	60	30	1800	
0.58	496	0.7	60	40	2400	
0.5	608	0.9	60	50	3000	40/90
0.35	548	0.8	50	80	4000	
0.12kW						
4.7	118	1.2	10	30	300	30/50
3.5	142	0.9		40	400	
2.8	164	0.7	10	50	500	
2.8	171	1.3	10	50	500	30/63
2.3	208	1.1	15	40	600	
1.9	241	0.9	15	50	750	

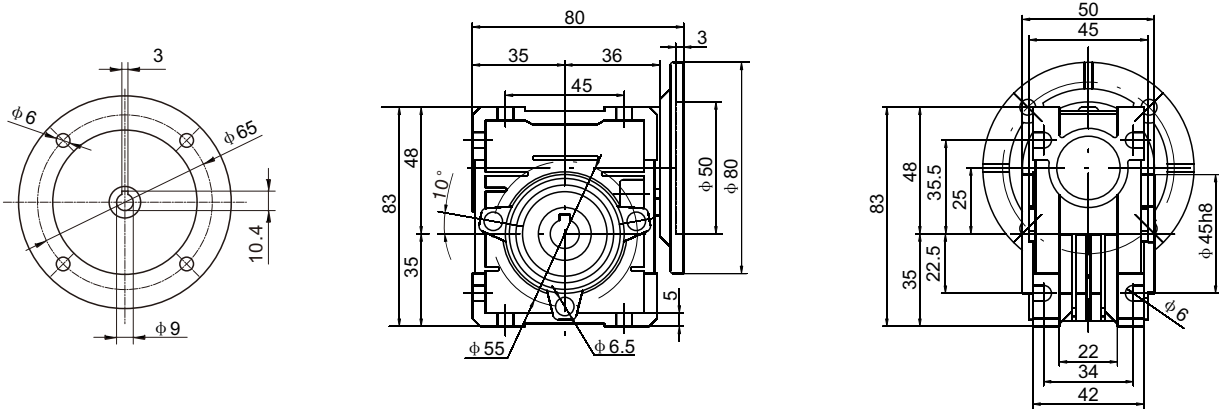
输出转速 Output speed (r/min)	输出转矩 Output torque (N.m)	使用系数 (fs)	高速级传动比 High speed transmission ratio (i1)	低速级传动比 Low speed transmission ratio (i2)	总传动比 General transmission ratio (i)	组合机型规格 Combination model size
0.12kW						
1.6	324	1.2	30	30	900	40/75
1.2	399	0.9	30	40	1200	
0.78	546	0.9	30	60	1800	40/90
0.58	695	0.9	60	40	2400	
0.5	883	1.2	60	50	3000	50/110
0.35	784	1.0	50	80	4000	
0.28	928	0.8	50	100	5000	
0.18kW						
3.5	221	1.0	10	40	400	30/63
2.8	257	0.8	10	50	500	
2.3	362	1.1	20	30	600	40/75
1.9	435	0.9	25	30	750	
1.6	487	0.8	30	30	900	
1.2	629	1.0	30	40	1200	40/90
0.93	735	0.8	30	50	1500	
0.78	860	1.5	60	30	1800	50/110
0.58	1113	1.1	60	40	2400	
0.25kW						
3.5	336	1.1	10	40	400	40/75
2.8	384	0.8	10	50	500	
2.3	511	1.2	15	40	600	40/90
1.9	598	0.9	15	50	750	
1.6	667	0.8	15	60	900	
1.2	943	1.3	30	40	1200	50/110
0.93	1064	1.2	50	30	1500	
0.78	1195	1.1	60	30	1800	
0.6	1624	1.0	60	40	2400	63/130
0.47	1935	0.8	60	50	3000	
0.35	2046	0.6	50	80	4000	
0.28	2430	0.5	50	100	5000	
0.78	1199	1.8	60	30	1800	63/150
0.6	1446	1.8	60	40	2400	
0.5	1713	1.4	60	50	3000	
0.4	2026	0.9	50	80	4000	
0.3	2251	0.7	50	100	5000	
0.37kW						
4.7	405	1.0	10	30	300	40/75
3.5	498	0.7	10	40	400	
4.7	401	1.5	7.5	40	300	40/90
3.5	523	1.2	10	40	400	
2.8	611	0.9	10	50	500	
2.3	757	0.8	15	40	600	

输出转速 Output speed (r/min)	输出转矩 Output torque (N.m)	使用系数 (fs)	高速级传动比 High speed transmission ratio (i1)	低速级传动比 Low speed transmission ratio (i2)	总传动比 General transmission ratio (i)	组合机型规格 Combination model size
0.25kW						
1.9	949	1.3	25	30	750	50/110
1.6	1079	1.2	30	30	900	
1.2	1396	0.8	30	40	1200	
0.9	1674	1.1	50	30	1500	63/130
0.78	1887	0.9	60	30	1800	
0.78	1774	1.2	60	30	1800	63/150
0.6	2141	1.2	60	40	2400	
0.5	2535	0.9	60	50	3000	
0.55kW						
4.7	639	2.0	10	30	300	50/110
3.5	826	1.4	10	40	400	
2.8	984	1.1	10	50	500	
2.3	1181	1.0	15	40	600	
1.9	1411	0.9	25	30	750	
2.8	995	1.6	10	50	500	63/130
1.9	1470	1.2	25	30	750	
1.2	2132	0.8	30	40	1200	
0.78	2637	0.8	60	30	1800	63/150
0.6	3182	0.8	60	40	2400	
0.75kW						
4.7	871	1.5	10	30	300	50/110
3.5	1126	1.1	10	40	400	
2.8	1357	1.1	10	50	500	63/130
2.3	1631	1.0	15	40	600	
1.9	2005	0.9	25	30	750	
1.6	2283	0.8	30	30	900	
2.8	1290	1.8	10	50	500	63/150
2.3	1529	1.7	15	40	600	
1.9	1783	1.3	25	30	750	
1.6	2215	0.9	30	30	900	
1.2	2680	1.0	30	40	1200	
1.1 kW						
4.7	1312	1.3	10	30	300	63/130
3.5	1671	1.0	10	40	400	
2.8	1991	0.8	10	50	500	
9.3	752	3.1	10	15	150	63/150
7	966	2.4	10	20	200	
5.6	1175	1.7	10	25	250	
4.7	1364	1.7	10	30	300	
3.5	1619	1.6	10	40	400	
2.8	1893	1.2	10	50	500	
2.3	2242	1.2	15	40	600	
1.9	2616	0.9	25	30	750	

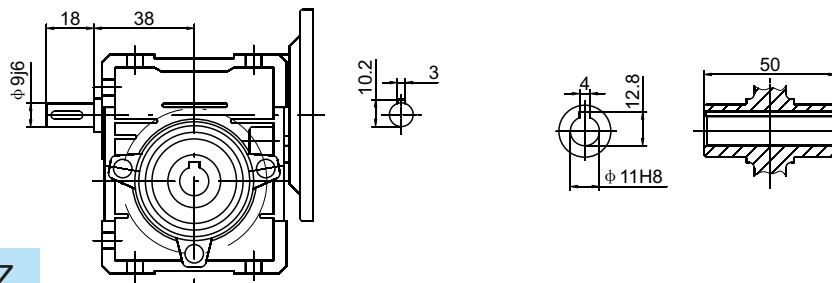
输出转速 Output speed (r/min)	输出转矩 Output torque (N.m)	使用 系数 (fs)	高速级传 动比 High speed transmission ratio (i1)	低速级传 动比 Low speed transmission ratio (i2)	总传动比 General transmission ratio (i)	组合机 型规格 Combination model size
1.5kW						
4.7	1789	1.0	10	30	300	63/130
3.5	2279	0.7	10	40	400	
9.3	1026	2.3	10	15	150	63/150
7	1317	1.8	10	20	200	
5.6	1602	1.3	10	25	250	
4.7	1860	1.3	10	30	300	
3.5	2208	1.2	10	40	400	
2.8	2582	0.9	10	50	500	
2.3	3057	0.9	15	40	600	

外形尺寸图 / OUTLINE DIMENSION SHEET

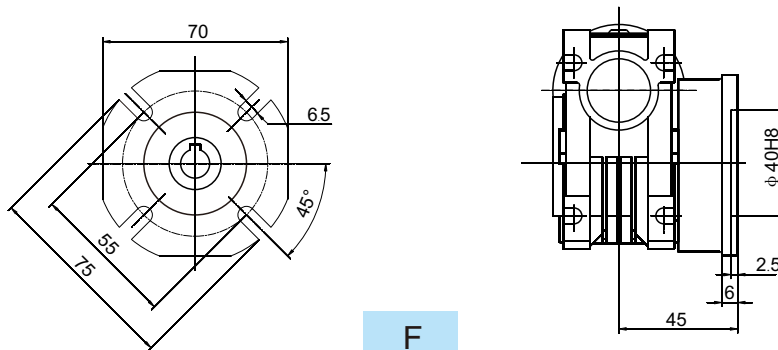
WMRV25



YZ

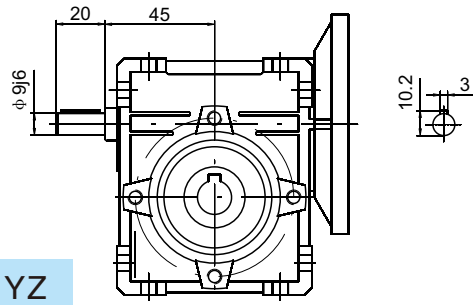
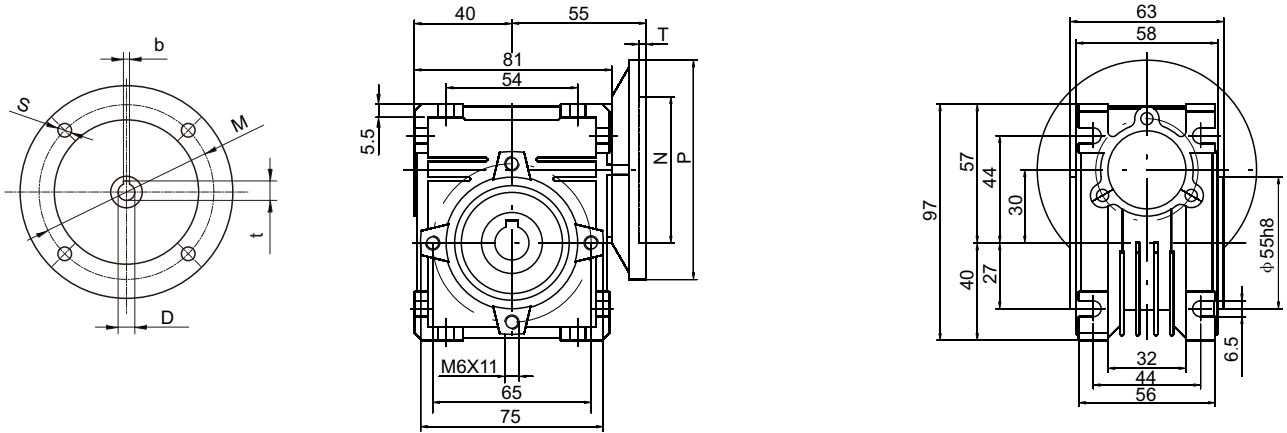


F

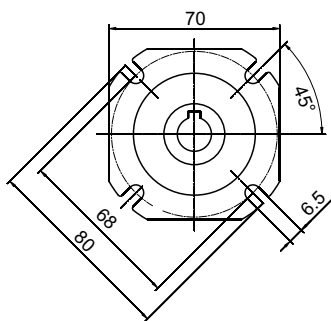


重量 (不包含马达) $\approx 0.8\text{kg}$
Weight without motor $\approx 0.8\text{kg}$

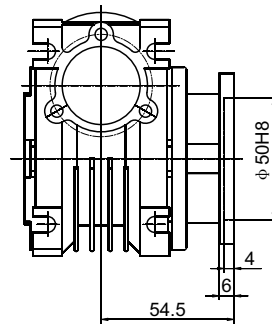
WMRV30



YZ



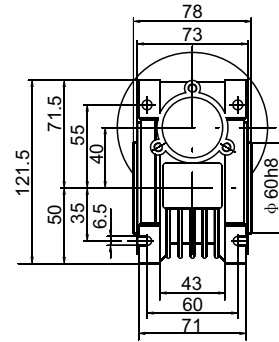
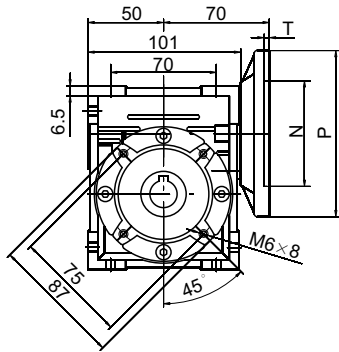
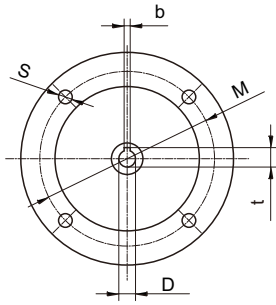
F



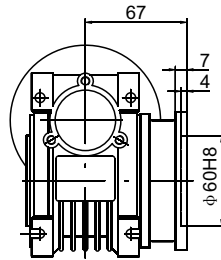
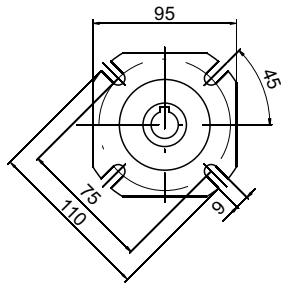
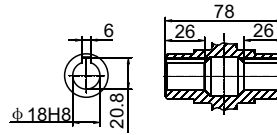
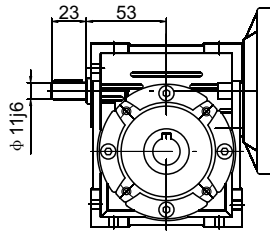
IEC	DE8	b	t	P	M	N	S	T
56B5	9	3	10.4	120	100	80	7	3.5
56B14	9	3	10.4	80	65	50	5.5	3
63B14	11	4	12.8	90	75	60	5.5	3
63B5	11	4	12.8	140	115	95	9	3.5

重量 (不包含马达) $\approx 1.2\text{kg}$
Weight without motor $\approx 1.2\text{kg}$

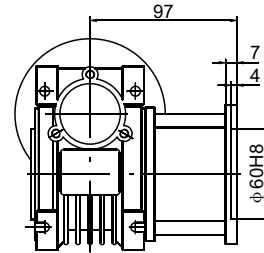
WMRV40



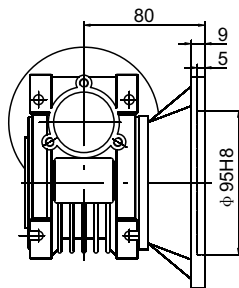
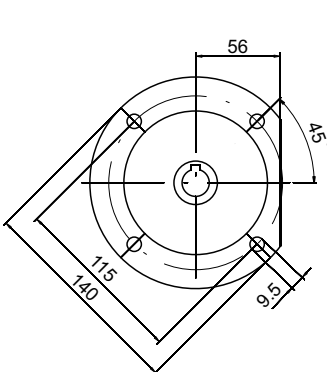
YZ



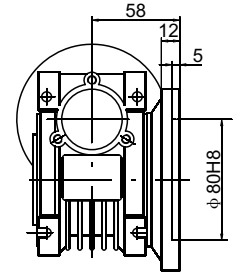
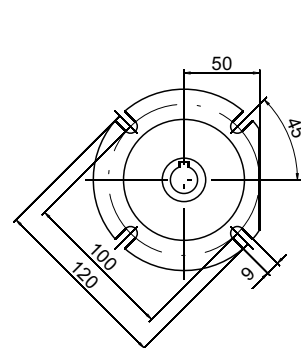
F



FL



FC

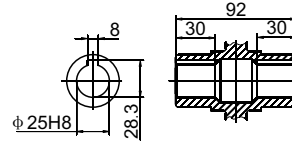
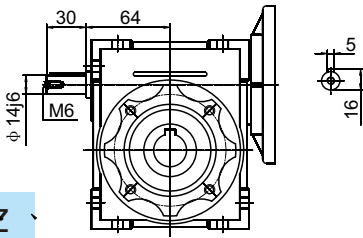
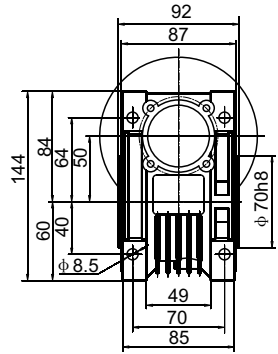
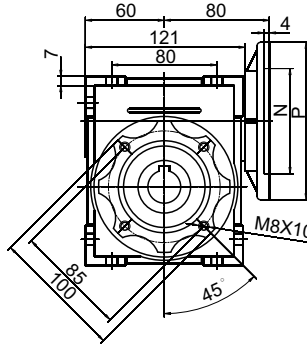
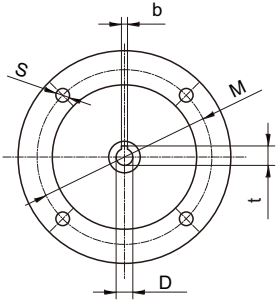


FD

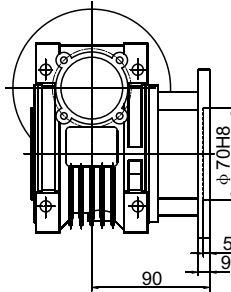
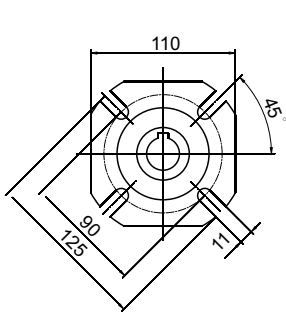
IEC	DE8	b	t	P	M	N	S	T
56B14	9	3	10.4	80	65	50	5.5	3
63B5	11	4	12.8	140	115	95	9	3.5
63B14	11	4	12.8	90	75	60	5.5	3
71B5	14	5	16.3	160	130	110	9	4
71B14	14	5	16.3	105	85	70	7	3

重量 (不包含马达) ≈ 2.2kg
Weight without motor ≈ 2.2kg

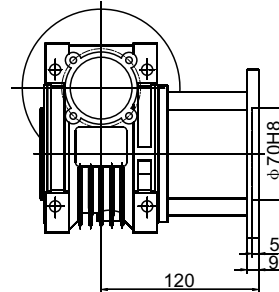
WMRV50



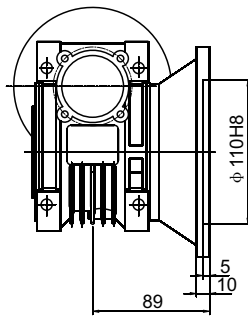
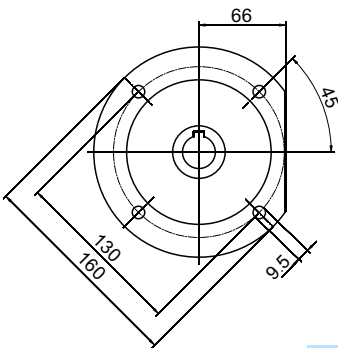
YZ



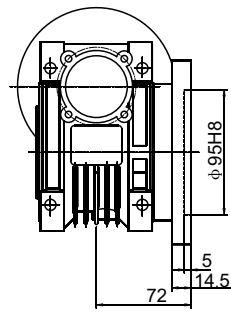
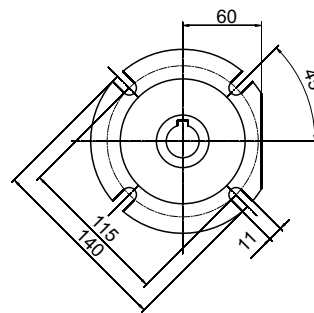
F



FL



FC

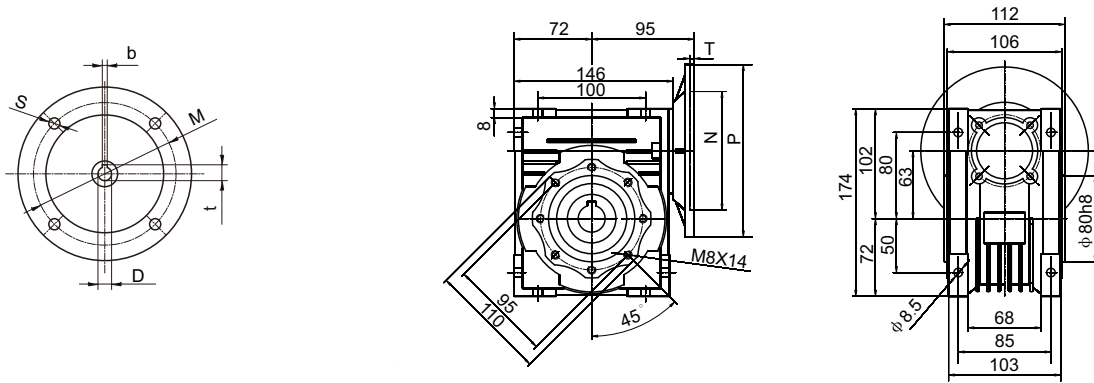


FD

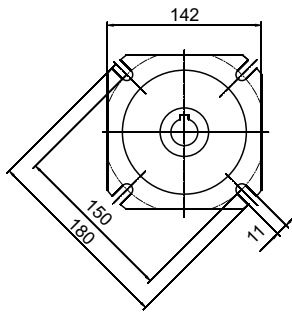
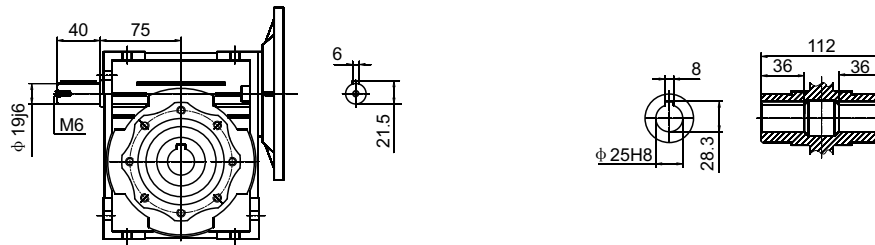
IEC	DE8	b	t	P	M	N	S	T
63B14	11	4	12.8	90	75	60	5.5	3
63B5	11	4	12.8	140	115	95	9	3.5
71B5	14	5	16.3	160	130	110	9	4
71B14	14	5	16.3	105	85	70	7	3
80B5	19	6	21.8	200	165	130	11	4
80B14	19	6	21.8	120	100	80	7	3.5

重量 (不包含马达) ≈ 3.8kg
Weight without motor ≈ 3.8kg

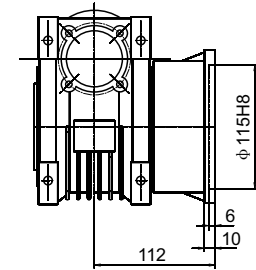
WMRV63



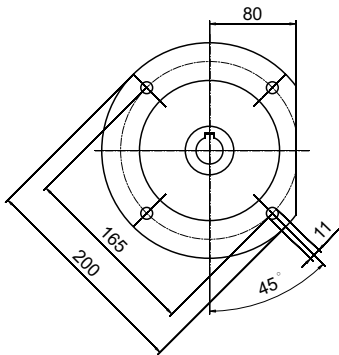
YZ



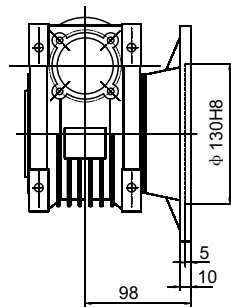
F



FL



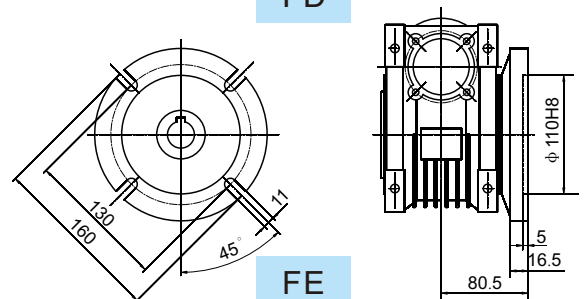
FC



FD

重量 (不包含马达) $\approx 6.2\text{kg}$
 Weight without motor $\approx 6.2\text{kg}$

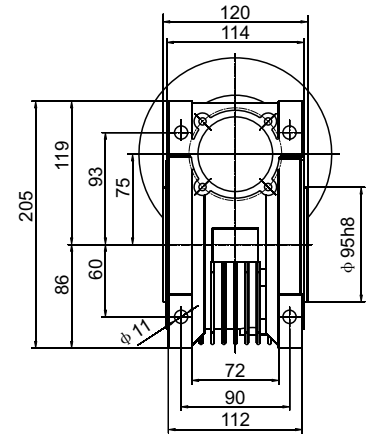
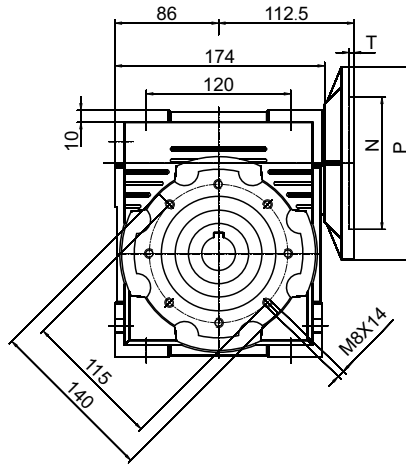
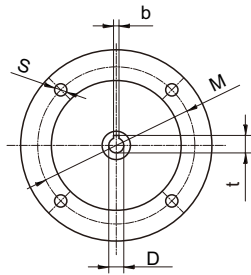
IEC	DEs	b	t	P	M	N	S	T
71B5	14	5	16.3	160	130	110	9	4
71B14	14	5	16.3	105	85	70	7	3
80B5	19	6	21.8	200	165	130	11	4
80B14	19	6	21.8	120	100	80	7	3.5
90B5	24	8	27.3	200	165	130	11	4
90B14	24	8	27.3	140	115	95	9	3.5



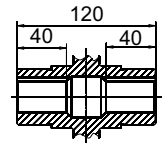
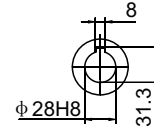
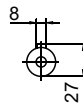
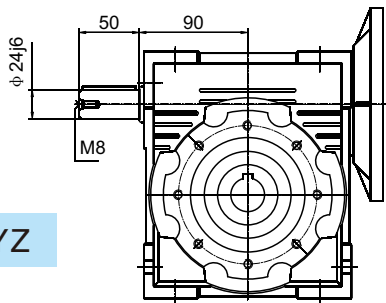
FE

WMRV75

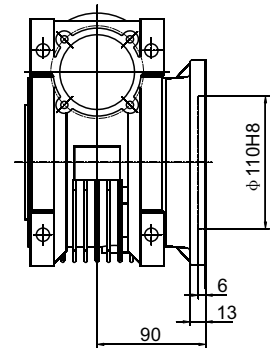
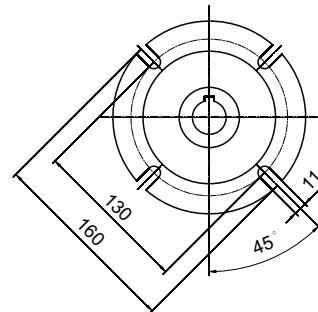
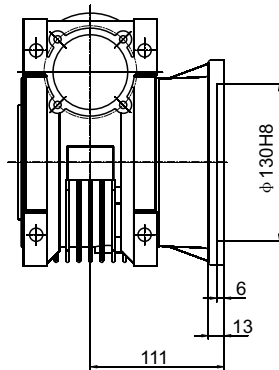
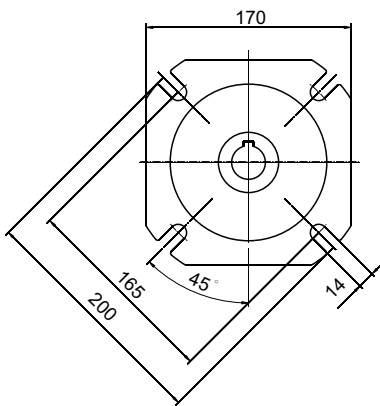
RV SERIES



YZ



F

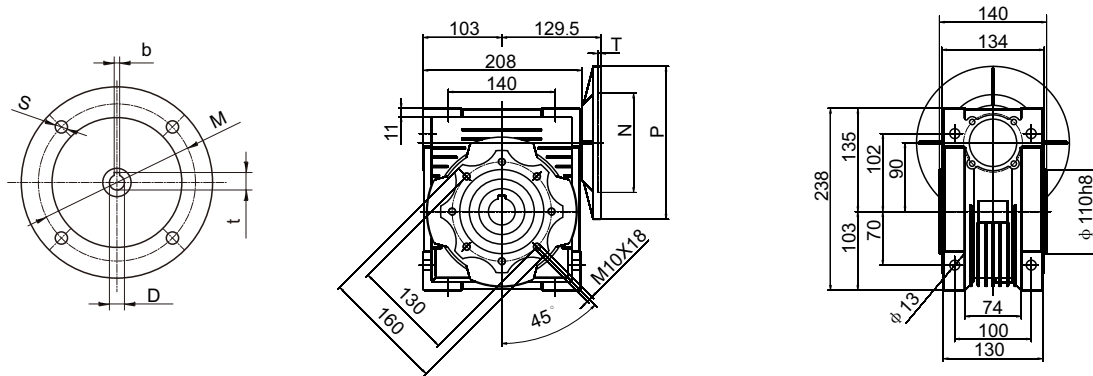


FB

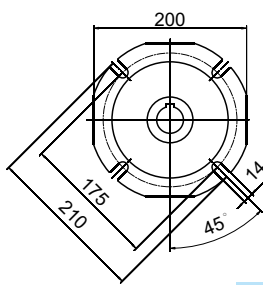
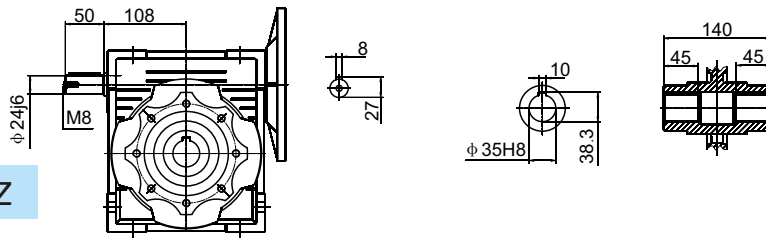
IEC	DE8	b	t	P	M	N	S	T
80B5	19	6	21.8	200	165	130	11	4
80B14	19	6	21.8	120	100	80	6.5	3.5
90B5	24	8	27.3	200	165	130	11	4
90B14	24	8	27.3	140	115	95	9	3.5
100/112B5	28	8	31.3	250	215	180	13.5	4
100/112B14	28	8	31.3	160	130	110	9	4.5

重量 (不包含马达) ≈ 9kg
Weight without motor ≈ 9kg

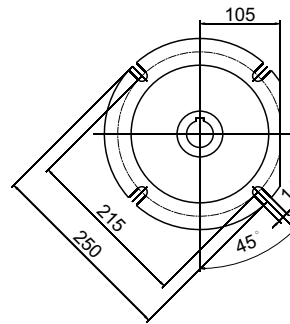
WMRV90



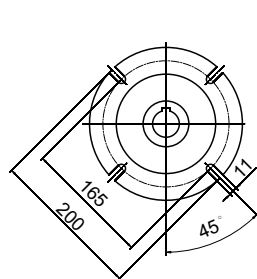
YZ



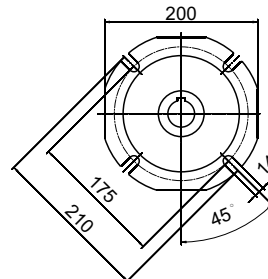
F



FB



FC

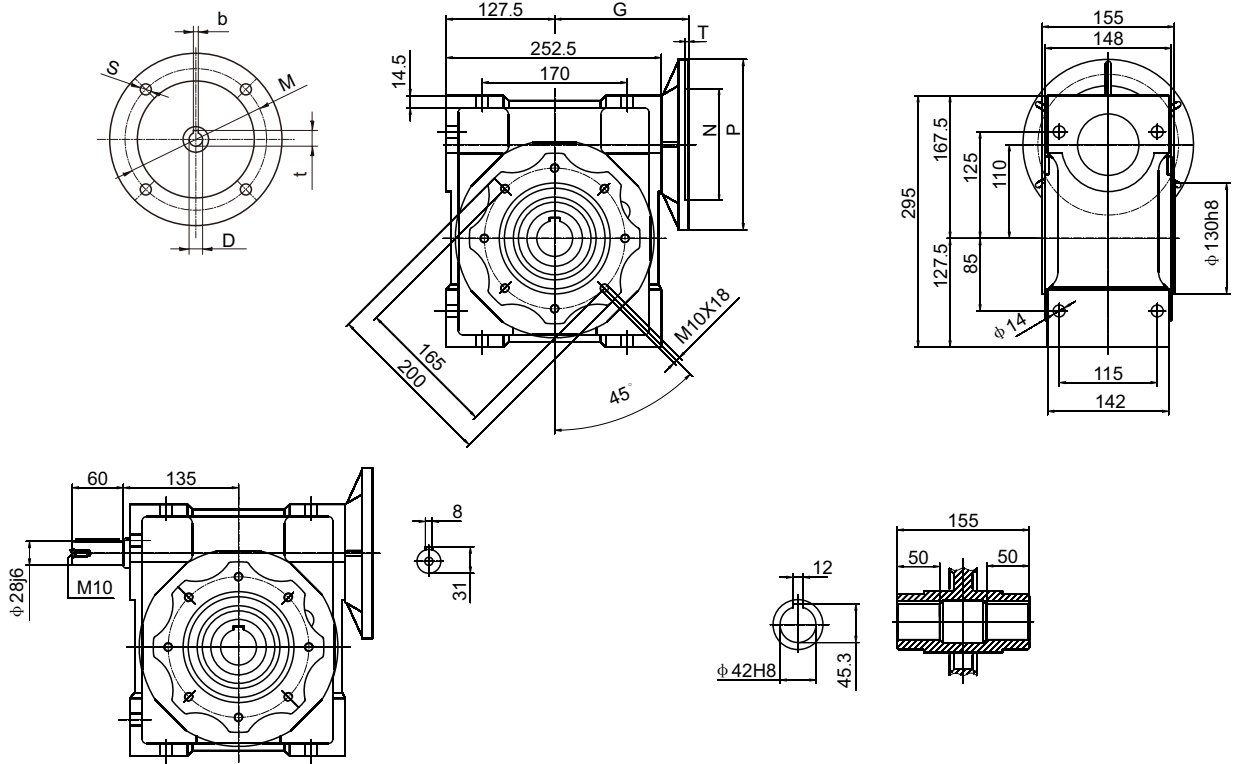


FD

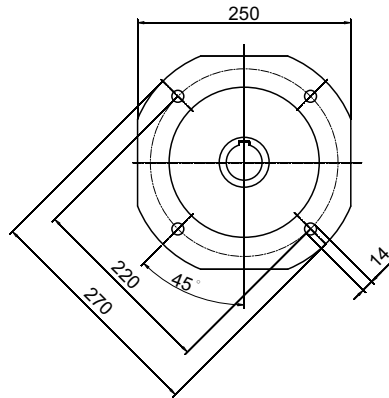
IEC	DE8	b	t	P	M	N	S	T
80B5	19	6	21.8	200	165	130	11	4
80B14	19	6	21.8	120	100	80	6.5	3.5
90B5	24	8	27.3	200	165	130	11	4
90B14	24	8	27.3	140	115	95	9	3.5
100/112B5	28	8	31.3	250	215	180	13.5	4
100/112B14	28	8	31.3	160	130	110	9	4.5

重量 (不包含马达) \approx 12kg
Weight without motor \approx 12kg

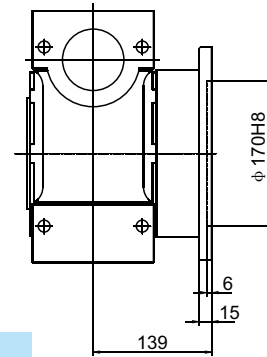
WMRV110



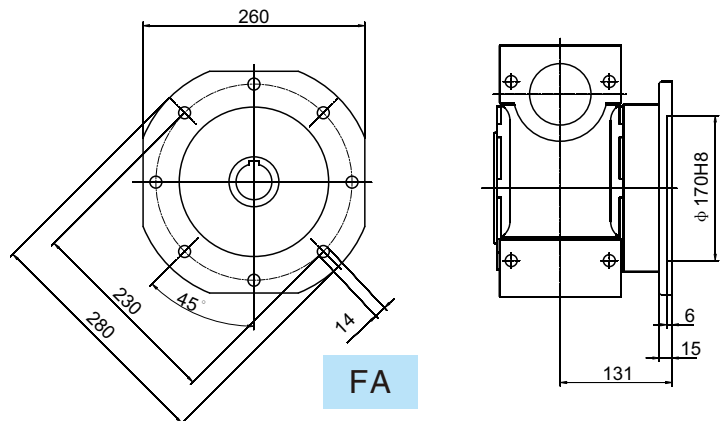
YZ



F



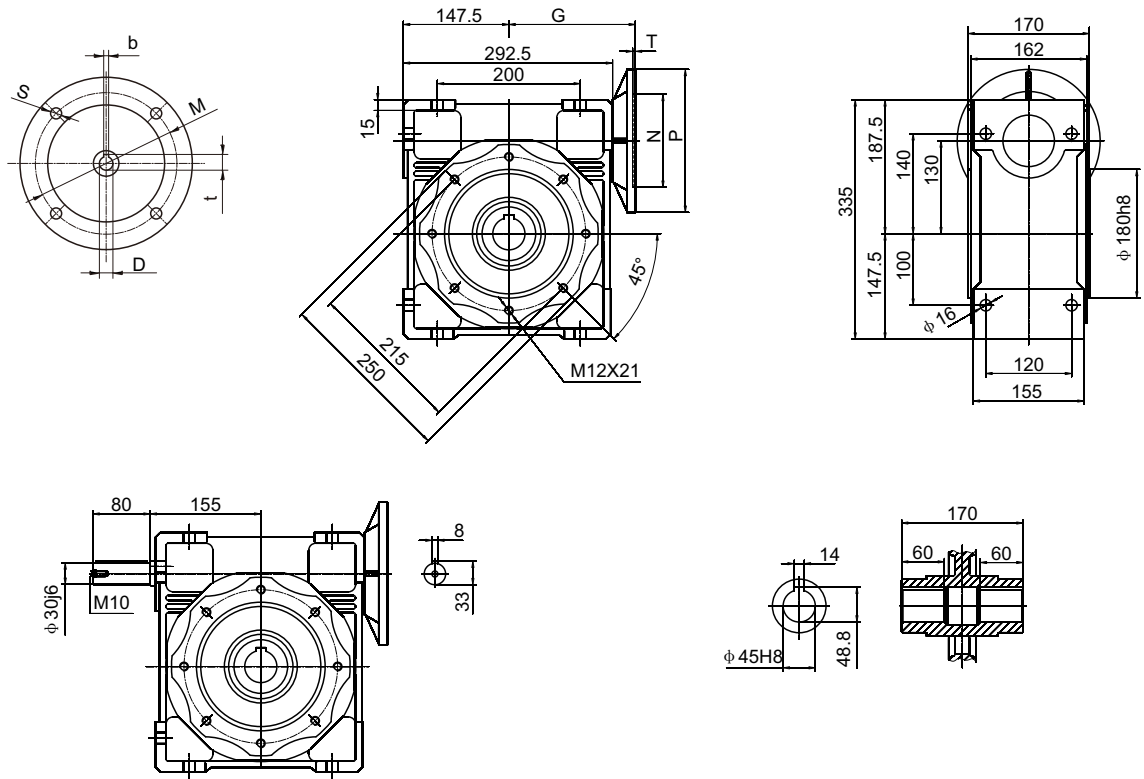
FA



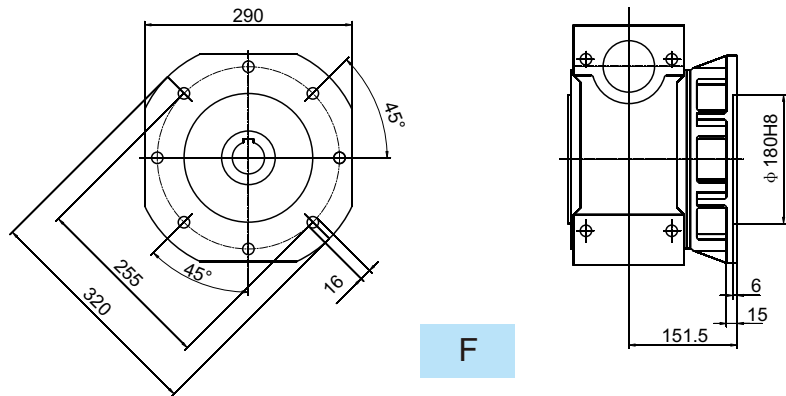
重量 (不包含马达) $\approx 38\text{kg}$
 Weight without motor $\approx 38\text{kg}$

IEC	DE8	b	t	P	M	N	S	T	G
90B5	24	8	27.3	200	165	130	11	4	157
90B14	24	8	27.3	140	115	95	9	3.5	157
100/112B5	28	8	31.3	250	215	180	13.5	4	155
100/112B14	28	8	31.3	160	130	110	9	4.5	155
132B5	38	10	41.3	300	265	230	13.5	4.5	159

WMRV130



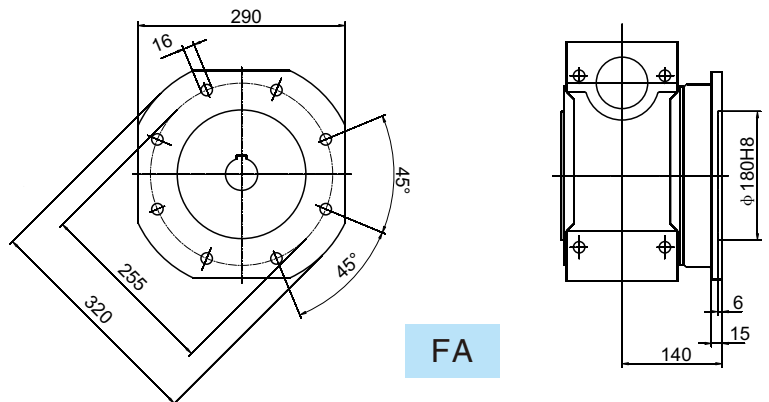
YZ



F

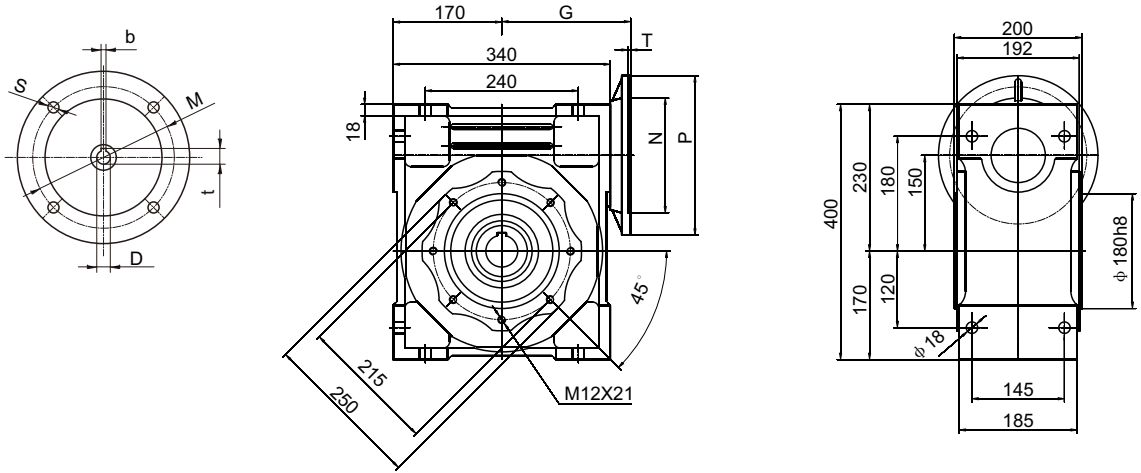
重量 (不包含马达) \approx 55kg
 Weight without motor \approx 55kg

IEC	DE8	b	t	P	M	N	S	T	G
90B5	24	8	27.3	200	165	130	11	4	177
90B14	24	8	27.3	140	115	95	9	3.5	177
100/112B5	28	8	31.3	250	215	180	13.5	4	175
100/112B14	28	8	31.3	160	130	110	9	4.5	175
132B5	38	10	41.3	300	265	230	13.5	4.5	179

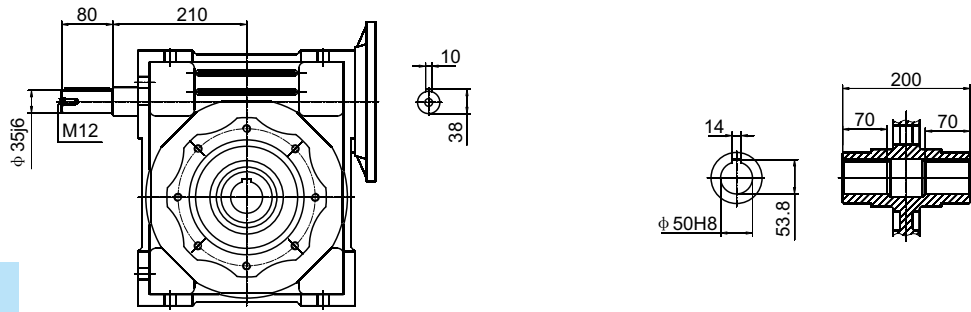


FA

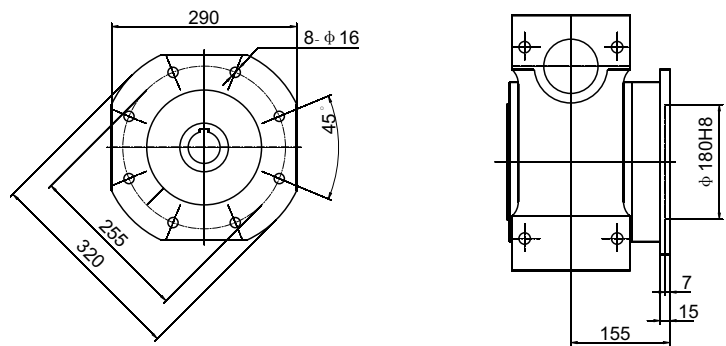
WMRV150



YZ



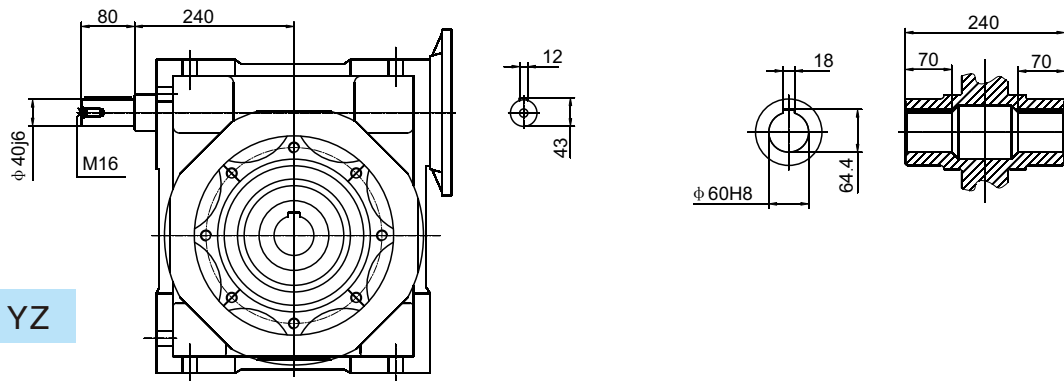
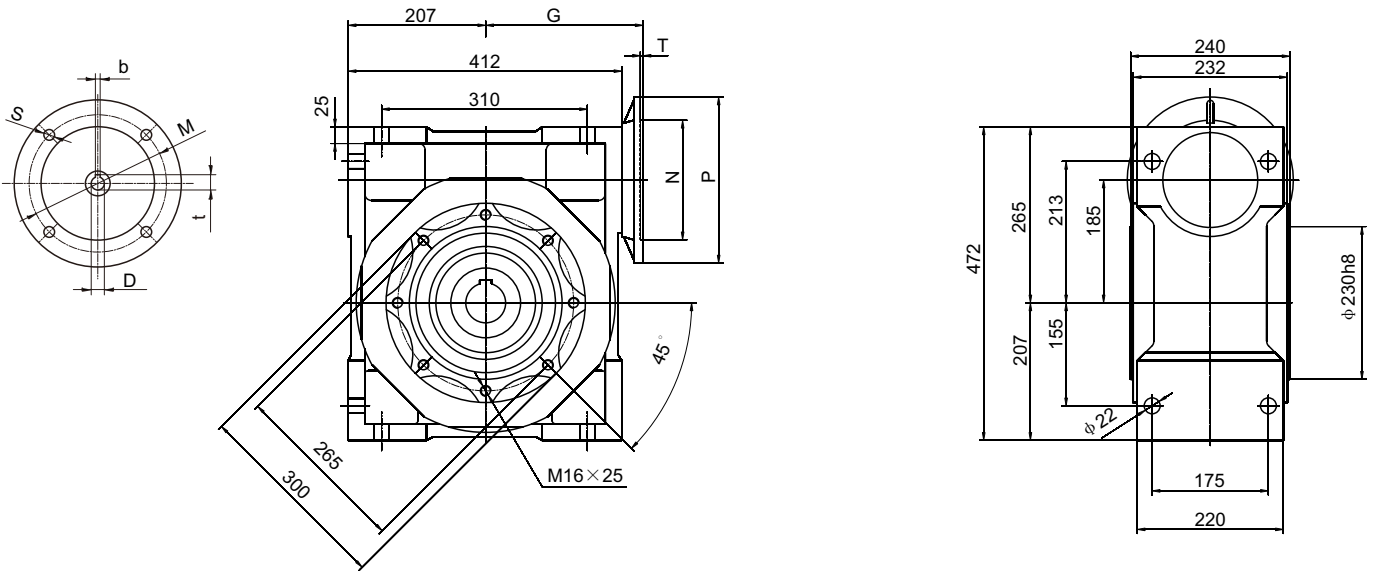
F



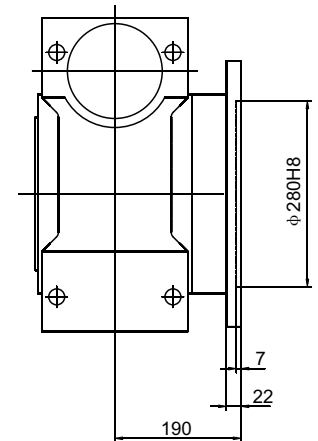
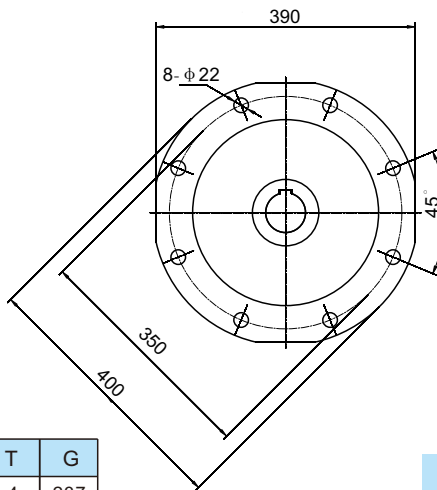
重量 (不包含马达) $\approx 105\text{kg}$
 Weight without motor $\approx 105\text{kg}$

IEC	DE8	b	t	P	M	N	S	T	G
100/112B5	28	8	31.3	250	215	180	13.5	4	202
132B5	38	10	41.3	300	265	230	13.5	4.5	202
160B5	42	12	45.3	350	300	250	18	6	212

WMRV185



YZ

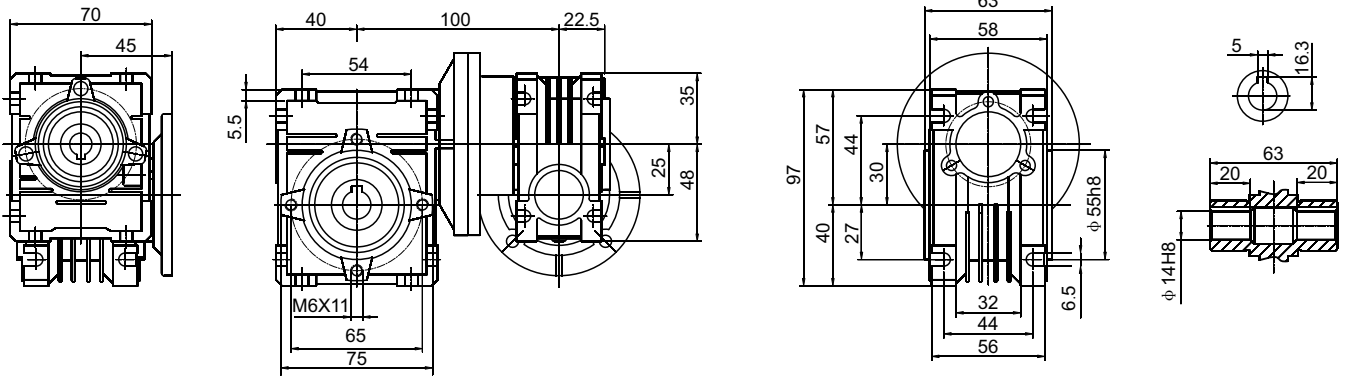


F

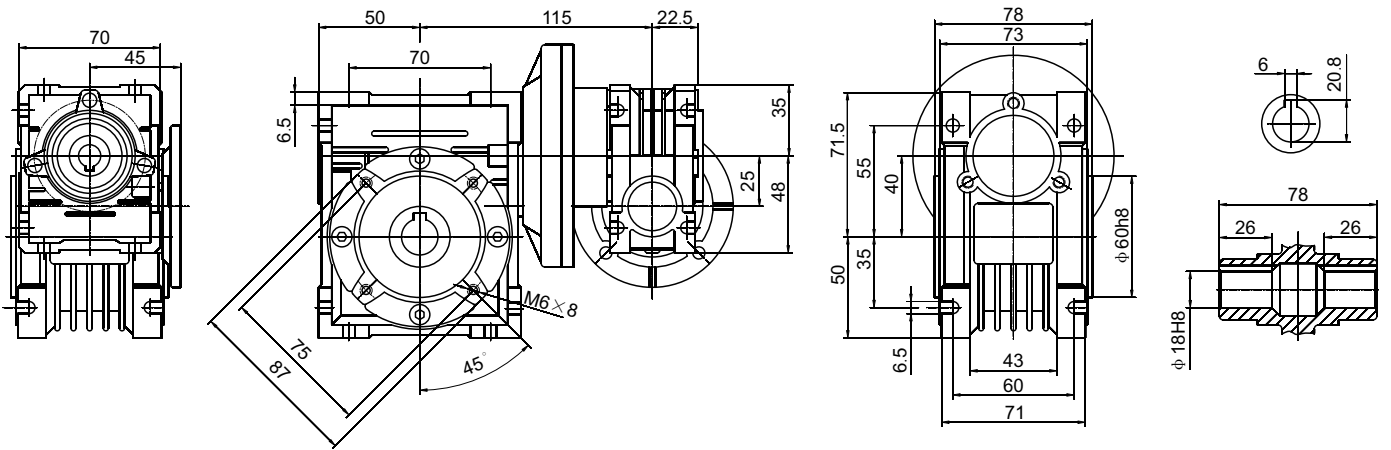
重量 (不包含马达) \approx 200kg
 Weight without motor \approx 200kg

IEC	DE8	b	t	P	M	N	S	T	G
100/112B5	28	8	31.3	250	215	180	13.5	4	237
132B5	38	10	41.3	300	265	230	13.5	4.5	237
160B5	42	12	45.3	350	300	250	18	6	247
180B5	48	14	51.8	350	300	250	18	6	247

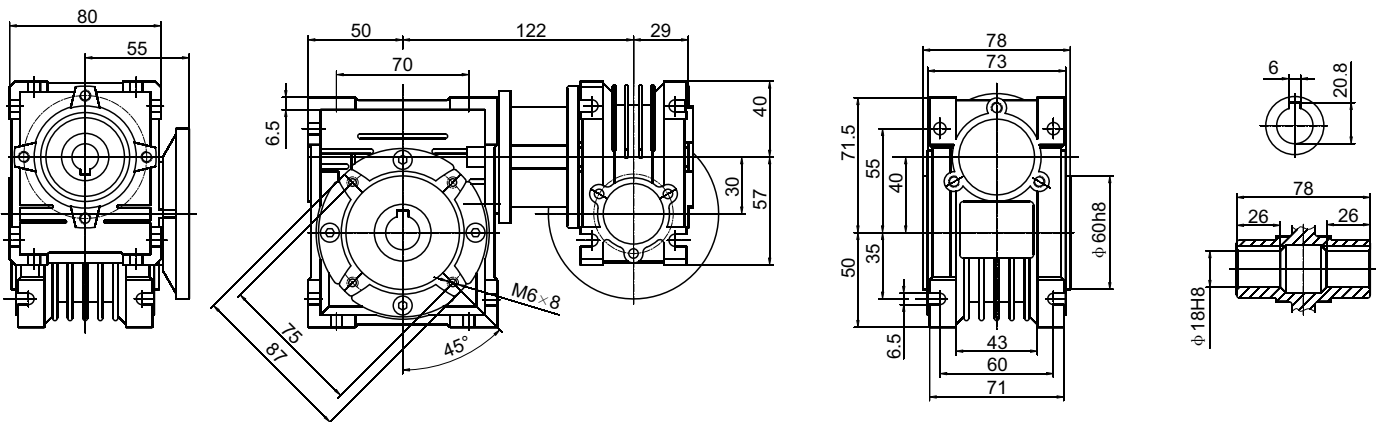
WMRV25/30



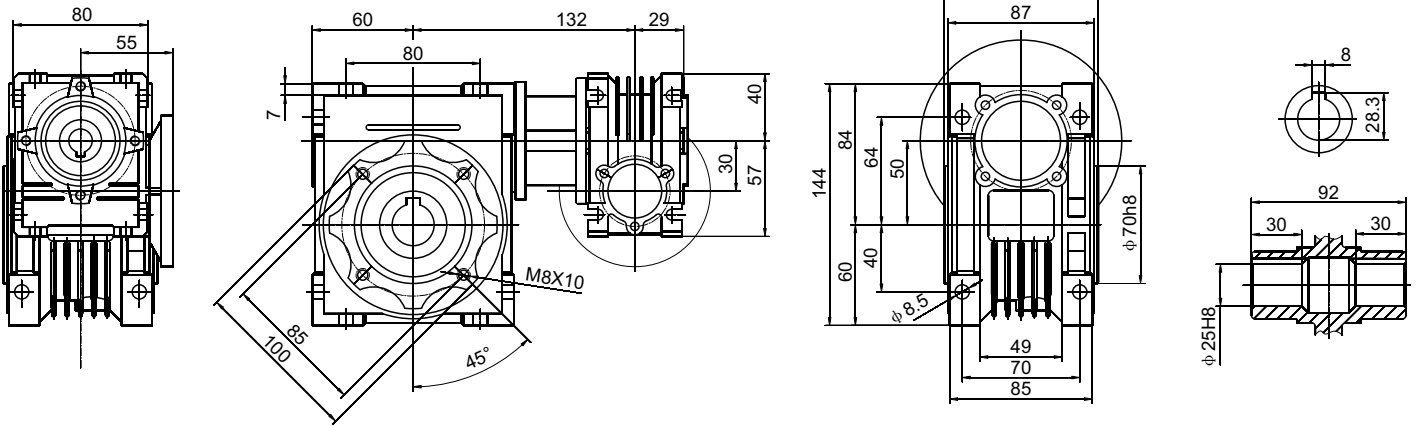
WMRV25/40



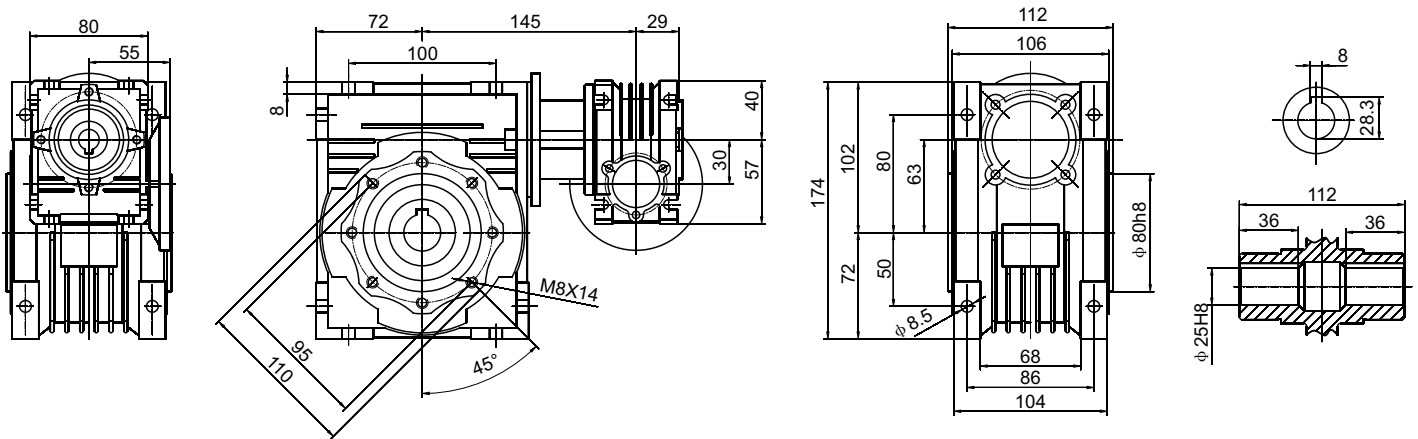
WMRV30/40



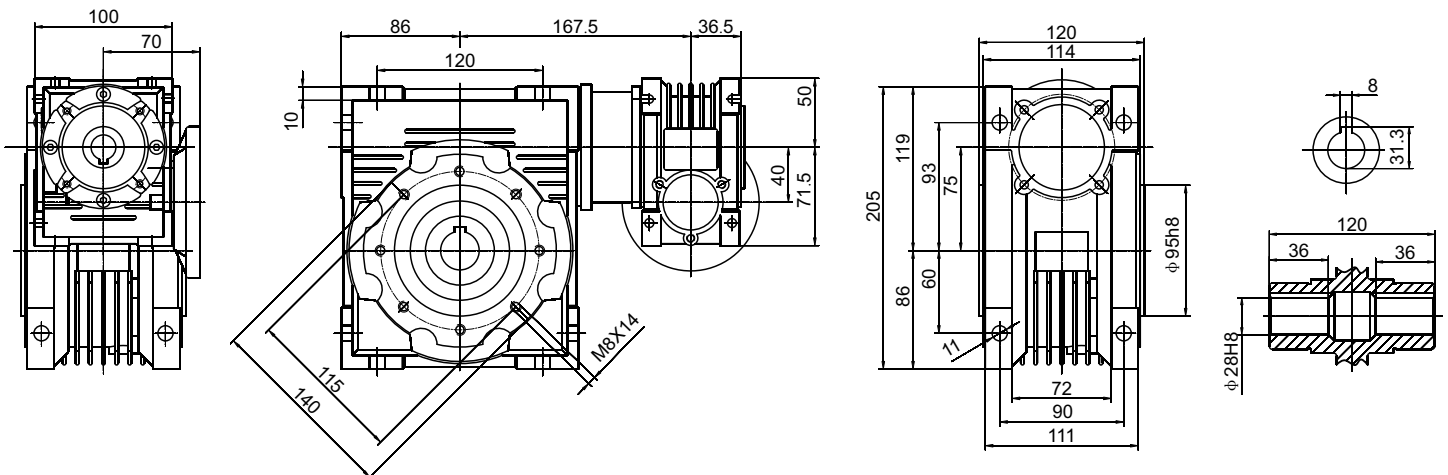
WMRV30/50



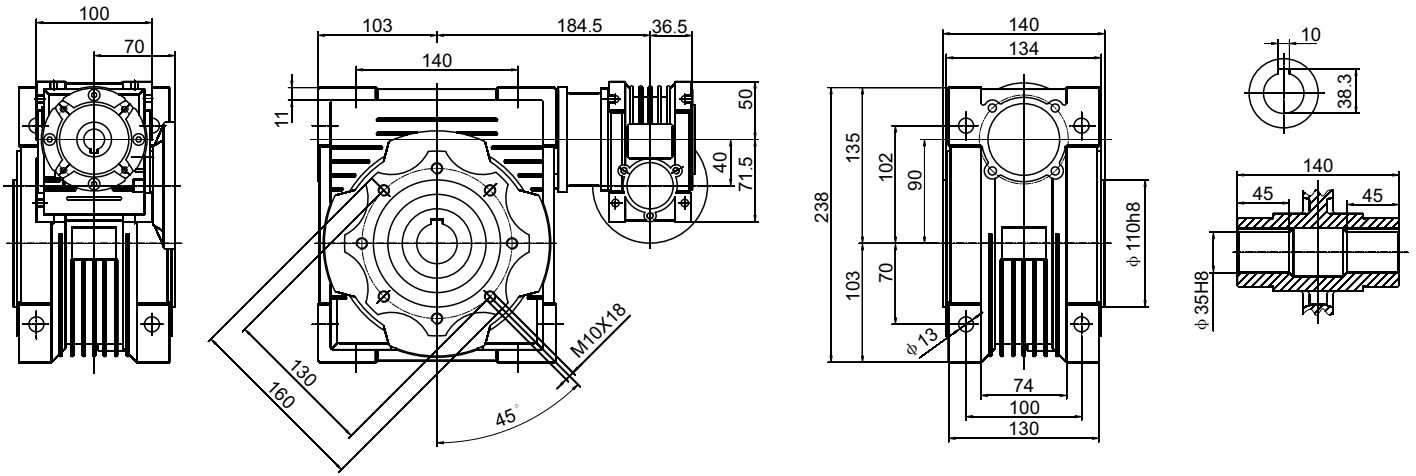
WMRV30/63



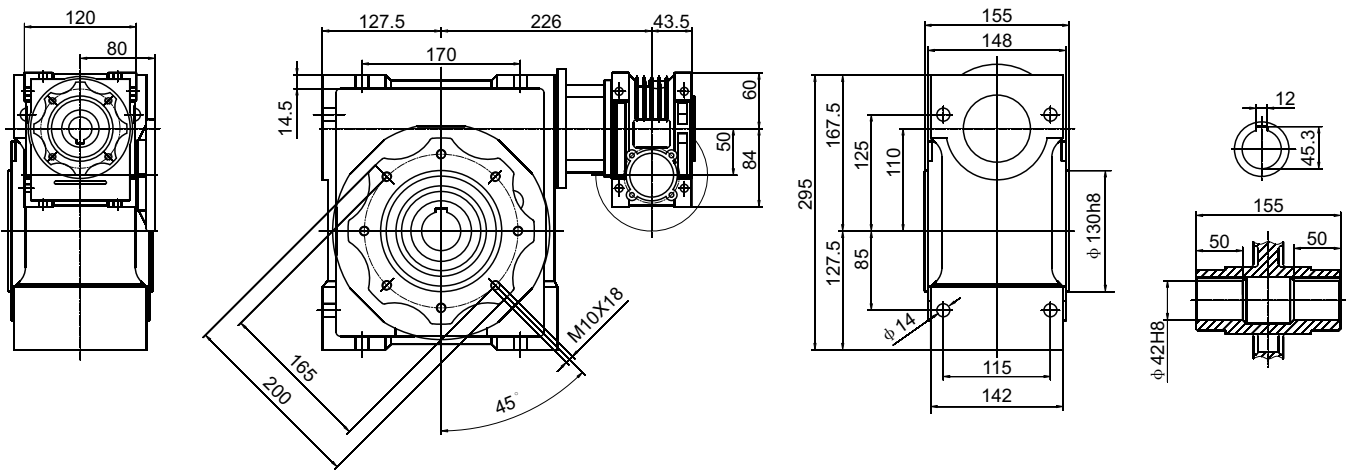
WMRV40/75



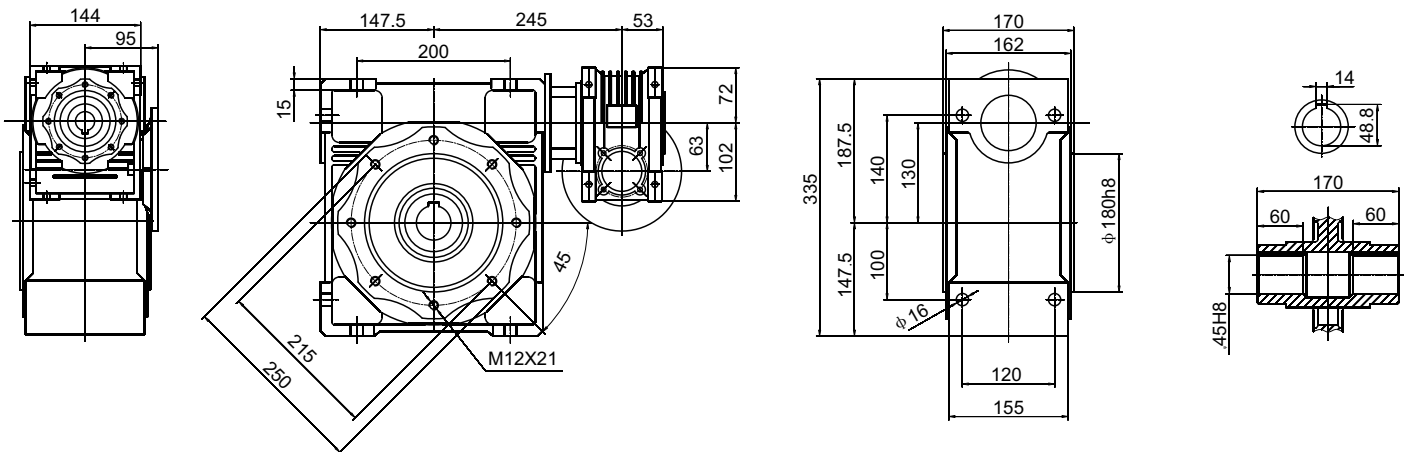
WMRV40/90



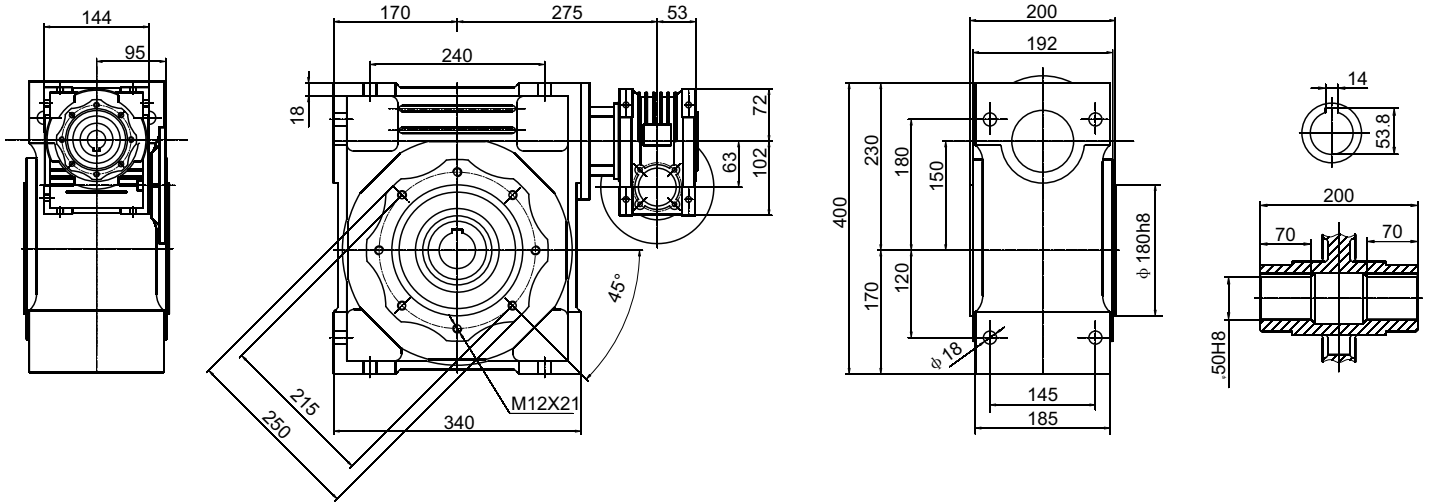
WMRV50/110

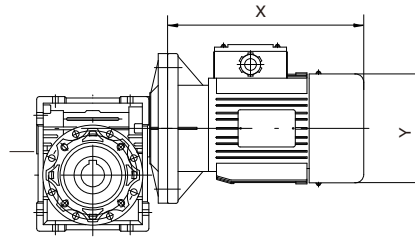


WMRV63/130



WMRV63/150



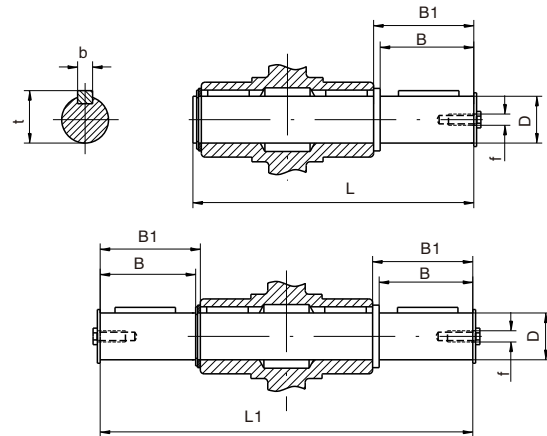


电动机外形尺寸一览表
Overall dimensions for electric motor

机座号	56		63		71		80		90		100		112		132		160		180	
功率 (kw)	0.06	0.09	0.12	0.18	0.25	0.37	0.55	0.75	1.1	1.5	2.2	3	4	5.5	7.5	11	15	18.5	22	
X	175		200		240		245		270	295	315		340	390	430	520	565	580	615	
Y	120		130		140		160		175		195		225		275		320		360	

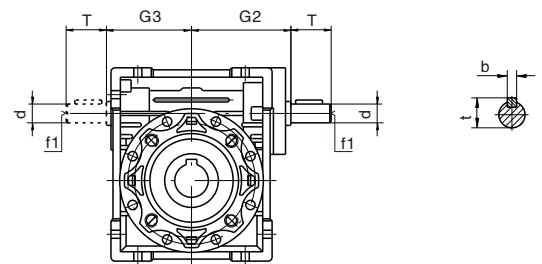
单向/双向输出轴尺寸
Dimensions of single/double output shaft

型号 Type	D(h6)	B	B1	L	L1	f	b	t
25	11	23	25.5	81	101	-	4	12.5
30	14	30	32.5	102	128	M6	5	16
40	18	40	43	128	164	M6	6	20.5
50	25	50	53.5	153	199	M10	8	28
63	25	50	53.5	173	219	M10	8	28
75	28	60	63.5	192	247	M10	8	31
90	35	80	84	234	308	M12	10	38
110	42	80	84.5	249	324	M16	12	45
130	45	80	85	265	340	M16	14	48.5
150	50	102	110	324	420	M20	14	53.5
185	60	112	120	374	480	M20	18	64



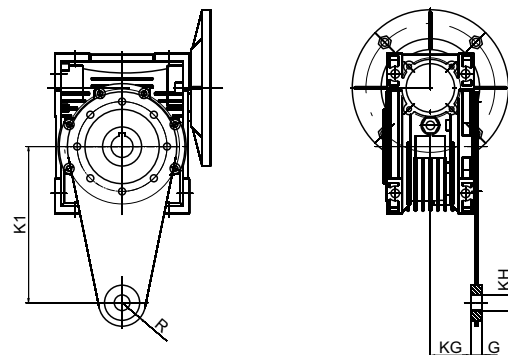
延伸蜗杆尺寸
Dimensions of extension worm shafts

型号 Type	G3	G2	T	d(j6)	b	t	f1
25	38	42	18	9	3	10.2	-
30	45	51	20	9	3	10.2	-
40	53	60	23	11	4	12.5	M6
50	64	74	30	14	5	16	M6
63	75	90	40	19	6	21.5	M6
75	90	105	50	24	8	27	M8
90	108	125	50	24	8	27	M8
110	135	142	60	28	8	31	M10
130	155	162	80	30	8	33	M10
150	210	195	80	35	10	38	M12
185	240	240	80	40	12	43	M16



转矩臂尺寸
Dimensions of torque arms

型号 Type	K1	R	KH	G	KG
25	70	15	8	14	17.5
30	85	15	8	14	24
40	100	18	10	14	31.5
50	100	18	10	14	38.5
63	150	18	10	14	49
75	200	30	20	25	47.5
90	200	30	20	25	57.5
110	250	35	25	30	62
130	250	35	25	30	69
150	250	35	25	30	84



微型蜗杆减速机与无级变速器（基本型）组合型技术参数

The technical data of unit which is consisted of Worm microreducer and Variator (basic type)

微型蜗杆减速机与无级变速器（基本型）组合技术参数见表11

By table 1 can find technical data of unit which is consisted of Worm microreducer and Variator (basic type)

组合型外形及安装尺寸

The overall and mounting demensions table of unit

组合型外形及安装尺寸见图11、表12

By chart 11 and table 12, can find overall and mounting demensions of unit

单向/双向输出轴尺寸见图5、表8

By shart 5 and table 8, can find demensions of fingle/double output shaft

延伸蜗杆轴尺寸见图6，表9

By chart 6 and table 9, can find demensions of extebtion shaft

转矩臂尺寸见图7，表10

By chart 7 and table 10, can find demensions of torque arms

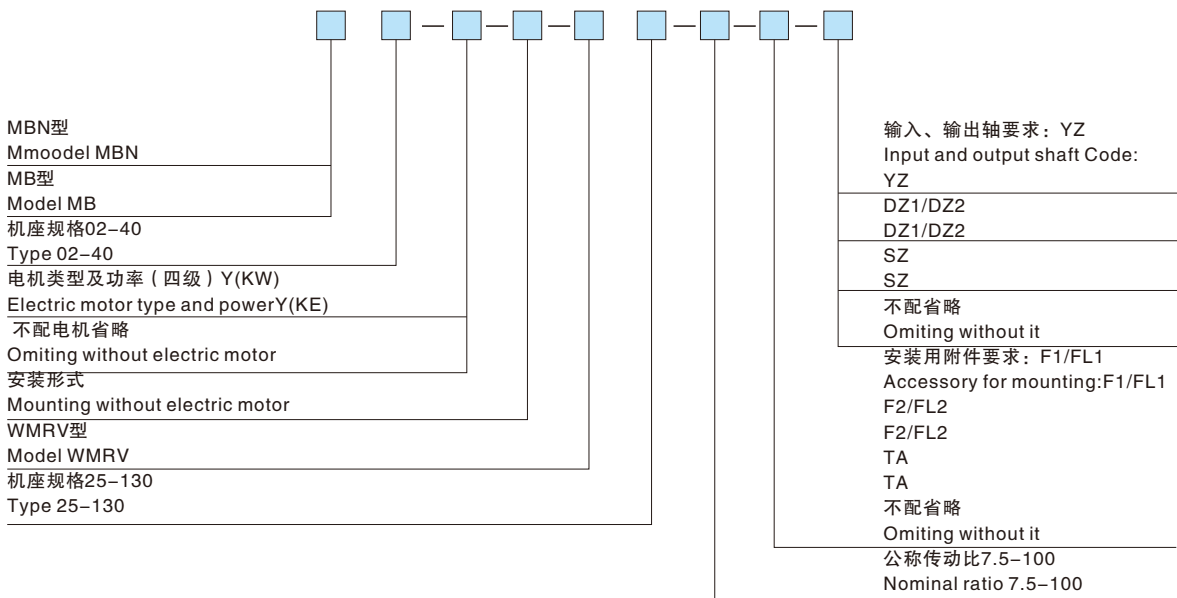
组合型结构形式代号

Structure mounting position code of unit

组合型结构形式见图13

By chart 13, can find overall structure mounting position

标记方式 Model designation



标记示例 Example of sign

MBN02-Y0.18-S1-WMRV40-7.5-F2-DZ

意为MBN型02号无级变速器配Y系列 0.18KW电机与WMRV40,i=7.5,带F2输出法兰，单输出轴的蜗杆减速机的组合机，S1安装形式。

MBN02-Y0.18-S1-WMRV40-7.5-F2-DZ

Means:mbn02 variator equippe with electric motor:0.18KW in series Yand NBRV40,Output flang:single output shaft:DZ Mounting position:S1

微型蜗杆减速机与无级变速器（基本型）组合技术参数

The technical data of unit which is consisted of Worm microreducer and Variator(basic type)

表11

Table11

MBN、MB			02	04	07		15		40		
输入功率(kw)(1400r/min)			0.18	0.37	0.55	0.75	1.1	1.5	2.2	3	4
WMRV	i	n2/min	M2 N.m sf	M2 N.m sf	M2 N.m sf	M2 N.m sf	M2 N.m sf	M2 N.m sf	M2 N.m sf	M2 N.m sf	M2 N.m sf
40	7.5	128.7~25.7	9~18 1.4								
	10	96.5~19.3	12~24 1.2								
	15	64.4~13	17~34 1.1								
	20	48~9.7	22~43 0.9								
	25	38.6~7.7	27~52 0.7								
	30	32.2~64	31~60 0.7								
	40	24~4.8	38~73 0.5								
	50	19.3~3.9	46~88 0.4								
50	7.5	128.7~25.7		19~38 1.5							
	10	96.5~19.3		26~50 1.1							
	15	64.4~13		37~71 0.9							
	20	48~9.7		47~91 0.8							
	25	38.6~7.7		57~110 0.6							
	30	32.2~64		65~125 0.7							
	40	24~4.8	38~74 1	79~153 0.5							
	50	19.3~3.9	46~88 0.8	94~182 0.4							
	60	16~3.2	51~98 0.7								
	80	12~2.4	64~124 0.5								
100	9.7~1.9	72~140 0.4									
63	7.5	128.7~25.7			29~56 1.8	39~77 1.3					
	10	96.5~19.3			38~74 1.4	52~102 1					
	15	64.4~13			55~107 1.1	75~146 0.8					
	20	48~9.7			72~139 1	99~190 0.7					
	25	38.6~7.7			87~167 0.8	118~229 0.5					
	30	32.2~64			98~191 0.8	134~260 0.6					
	40	24~4.8		84~162 0.9	125~241 0.5	171~328 0.4					
	50	19.3~3.9		99~191 0.7	147~284 0.5	200~387 0.3					
	60	16~3.2		110~212 0.6	164~315 0.4						
	80	12~2.4		142~273 0.5							
100	9.7~1.9		152~295 0.4								
75	7.5	128.7~25.7					58~114 1.6	80~156 1.1			
	10	96.5~19.3					78~151 1.3	107~206 0.9			
	15	64.4~13					113~219 0.9	155~299 0.6			
	20	48~9.7					147~282 0.7	200~385 0.5			
	25	38.6~7.7					178~344 0.6	243~469 0.4			
	30	32.2~64					203~392 0.6	277~535 0.4			
	40	24~4.8		*86~166 1.3	129~248 0.8	176~338 0.6	255~496 0.4				

注：i系指WMRV的传动比，总传动比（1.45~7.25）×i。sf为n2≤n2max/1.93（即最大输出扭矩）时的工作系数，*为特殊配置。

I means the transmission ratio of model WMRV, total ratio is (1.45~7.25)i, Sf is the service factor when n2 less than or equate n2max/1.93(M2max)

微蜗杆减速机与无级变速器（基本型）组合技术参数

The technical data of unit which is consisted of Worm microreducer and Variator(basic type)

表11

Table11

MBN、MB			02	04	07	15	22	40			
输入功率(kw)(1400r/min)			0.18	0.37	0.55	0.75	1.1	1.5	2.2	3	4
WMRV	I	n2/min	M2 N.m	M2 N.m	M2 N.m	M2 N.m	M2 N.m	M2 N.m	M2 N.m	M2 N.m	M2 N.m
			sf	sf	sf	sf	sf	sf	sf	sf	sf
75	50	19.3~3.9		*103~199 1	153~297 0.7	209~405 0.5					
	60	16~3.2		*115~222 0.9	172~330 0.6	234~451 0.4					
	80	12~2.4		*149~287 0.7	222~427 0.4						
	100	9.7~1.9		*164~318 0.5							
90	7.5	128.7~25.7					60~116 2	81~158 1.5	*119~232 1		
	10	96.5~19.3					79~153 1.7	108~209 1.3	*158~306 0.9		
	15	64.4~13					115~222 1.4	156~303 1	*230~444 0.7		
	20	48~9.7					150~289 1.2	205~394 0.9	*308~592 0.6		
	25	38.6~7.7					182~353 0.9	243~481 0.7	*374~723 0.5		
	30	32.2~6.4					208~403 1	284~549 0.7			
	40	24~4.8			134~258 1.4	183~352 1	269~516 0.7	367~704 0.5			
	50	19.3~3.9			160~310 1.1	219~422 0.8	321~620 0.5	438~845 0.4			
	60	16~3.2			183~351 0.9	249~479 0.6					
	80	12~2.4			233~447 0.6	318~610 0.5					
	100	9.7~1.9			261~508 0.5	357~692 0.4					
110	7.5	128.7~25.7							119~232 2	162~317 1.5	216~422 1.1
	10	96.5~19.3							158~306 1.7	216~418 1.2	288~557 0.9
	15	64.4~13							230~444 1.3	313~606 0.9	418~808 0.7
	20	48~9.7							308~592 1	415~798 0.7	554~1064 0.5
	25	38.6~7.7					187~361 1.6	249~493 1.2	374~723 0.8	511~986 0.6	681~1315 0.4
	30	32.2~6.4					213~413 1.5	291~563 1.1	427~826 0.8	583~1127 0.5	
	40	24~4.8					279~537 1.1	381~732 0.8	559~1074 0.5	763~1465 0.4	
	50	19.3~3.9					334~645 0.9	456~880 0.7			
	60	16~3.2					381~733 0.7	521~1000 0.5			
	80	12~2.4					495~950 0.5				
	100	9.7~1.9					559~1085 0.4				
130	7.5	128.7~25.7								164~320 2	216~422 1.5
	10	96.5~19.3								216~418 1.6	288~557 1.2
	15	64.4~13								317~627 1.2	418~808 0.9
	20	48~9.7								420~808 0.9	561~1077 0.7
	25	38.6~7.7							374~723 1.2	511~1010 0.9	681~1315 0.6
	30	32.2~6.4							427~826 1.2	583~1127 0.9	778~1503 0.6
	40	24~4.8					279~537 1.9	381~732 1.4	559~1074 1	763~1465 0.9	1017~1954 0.5
	50	19.3~3.9					334~645 1.5	456~880 1.1	669~1291 0.7	912~1761 0.5	
	60	16~3.2					382~733 1.2	521~1000 0.9	764~1467 0.6		
	80	12~2.4					502~964 0.9	685~1315 0.6	1004~1929 0.4		
	100	9.7~1.9					568~1102 0.6	774~1503 0.5	1136~2204 0.3		

表12
Table 12

MBN +WMRV 组合型外形及安装尺寸表
The overall and mounting dimensions table of unit

MBN MB	+WMRV	A	C	D(H7)	E	F	G	G1		G2		H	I	L	M	N(h8)	N1	O	P	Q	R	S	T	V	X
								MB	MBN	MB	MBN														
02+40		70	101	18	121.5	43	78	182.5		134		50	40	71	75	60	36.5	7	87	55	71.5	6.5	23	35	227
02+50		80	121.5	25	144	49	92	192.5		144		60	50	85	85	70	43.5	8.5	100	64	84	7	30	40	245
04+50								190		154															
04+63		100	147.5	25	174	67	112	205		169		72	63	103	95	80	53	8.5	110	80	102	8	40	50	250
07+63								*223		184															245
07+75		120	174	28	205	72	120	252		207		86	75	113	115	95	57	11	140	93	119	10	50	60	250
15+75								285		229															285
07+90								269		224															250
15+90		140	208	35	238	72	140	302	246		103	90	130	130	130	110	67	13	160	102	135	11	50	70	285
22+90								*338	270																320
15+110								333	262																285
22+110		170	252.5	42	294		155	368	291		127.5	110	142	165	130	74	14	200	125	167.5	15	60	85	320	
40+110																									340
15+130		200	292.5	45	335	79	170	353	282		147.5	130	155	215	180	81	16	250	140	187.5	15	80	100	285	
22+130								388	311																320
40+130																									340

MBN MB	+WMRV	K	KA		KB	KC	KE	a	a1	KM	KN (H8)	KO	KP	KQ	b	t	VC	VF		VL		VR	VS	
			F	FL														MB	MBN	MB	MBN			
02+40		60	67	97	7	4	M6×8(n.4)			87	60	9(n.4)	110	95	6	20.8			151		117			85
02+50		70	90	120	9	5	M8×10(n.4)			90	70	11(n.4)	125	110		28.3	71		161		127			
04+50																			173		139			
04+63		85	82	112	10	6				150	115	11(n.4)	180	142		28.3	83		186		152			
07+63																								
04+75							M8×14(n.8)			165	130	14(n.4)	200	170	8	31.3	83		203		182			
07+75		90	111		13			45°	90°										215		196			
15+75																					197			
07+90																					226			
15+90		100	111		13					175	152		210	200	10	38.3			253		211			
22+90						6													286		241			
15+110							M10×18(n.8)			220	170	14(n.8)	270	250	12	45.3	97.5		273		231			
22+110		116	139		15																261			
40+110																								
15+130																								
22+130		120	151.5		15		M12×20(n.8)			255	180	16(n.8)	320	290	14	48.8					251			
40+130																					336			

注：带*者尺寸为特殊配置
The dimensions with * are special requirement

图11
Chart11

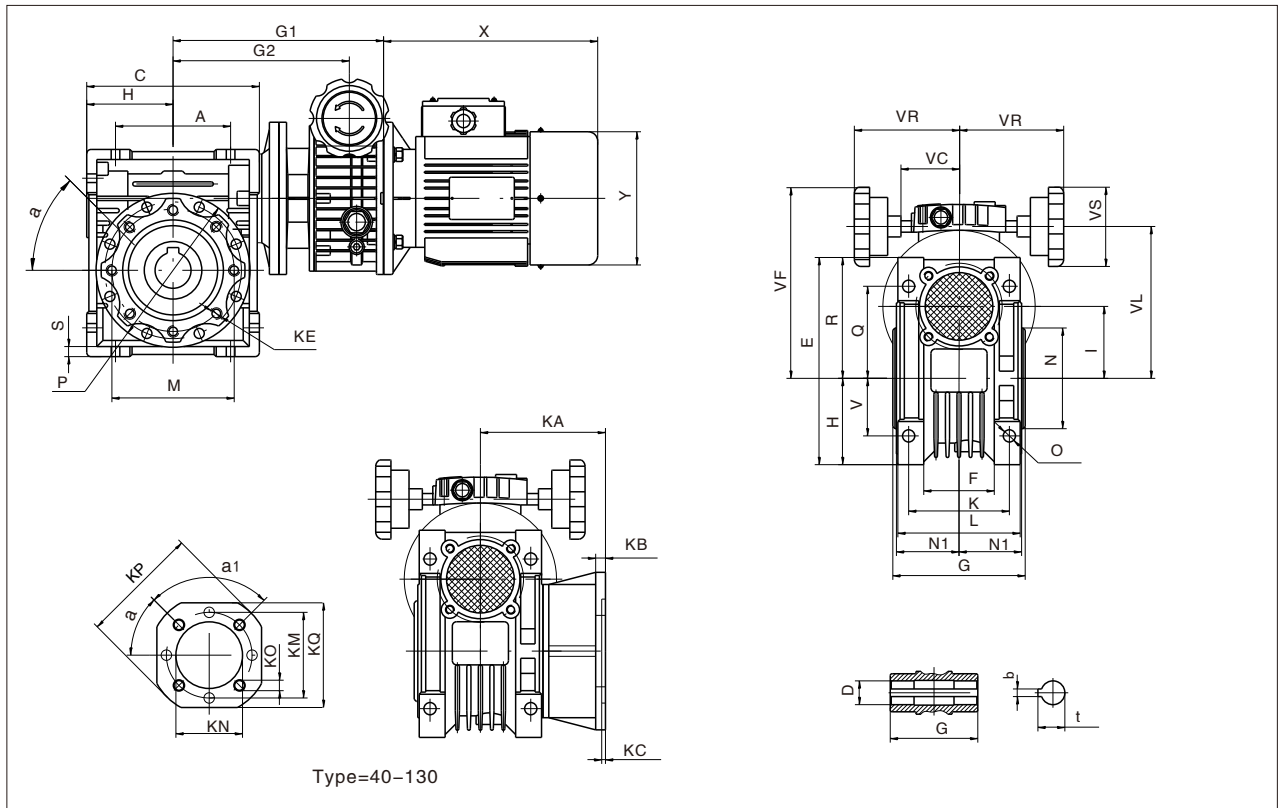
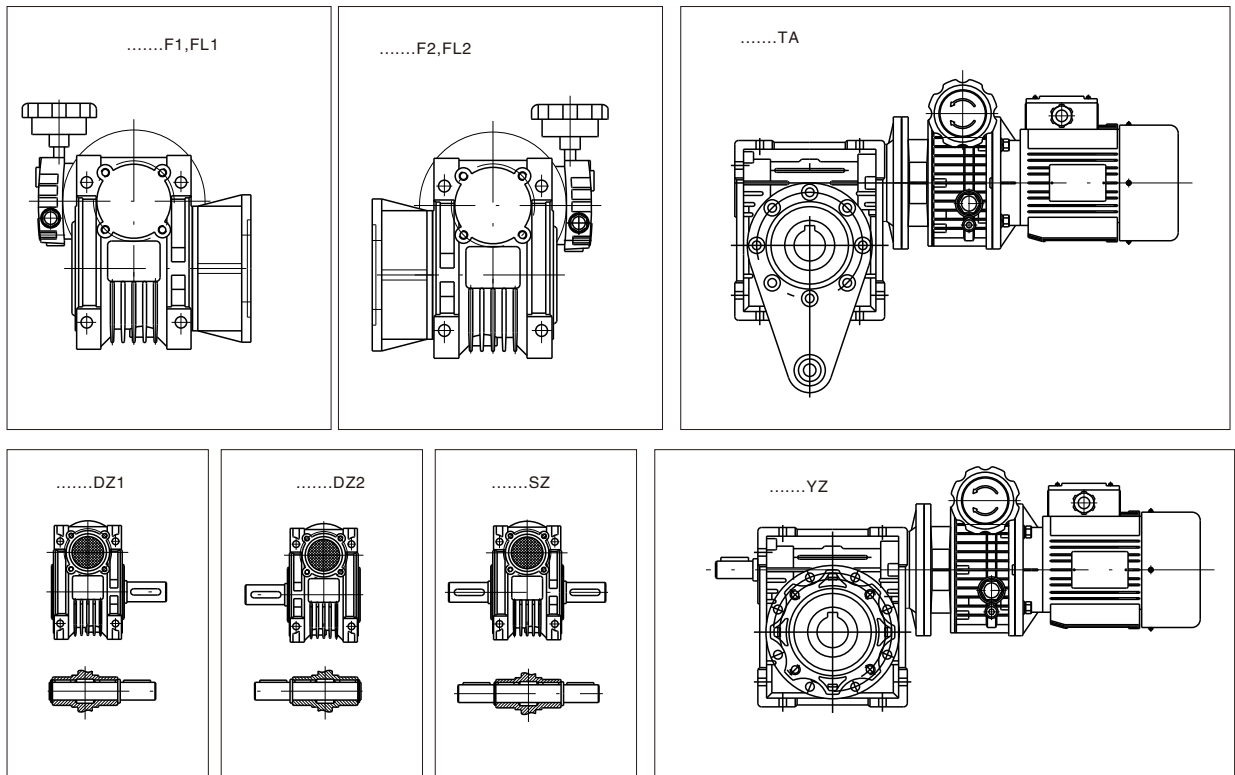


图12
Chart12



变速器与蜗箱组合型：结构安装形式代号图例

The unit of variator plus worm microreducer structure and mounting position code

图13
Chart 13

