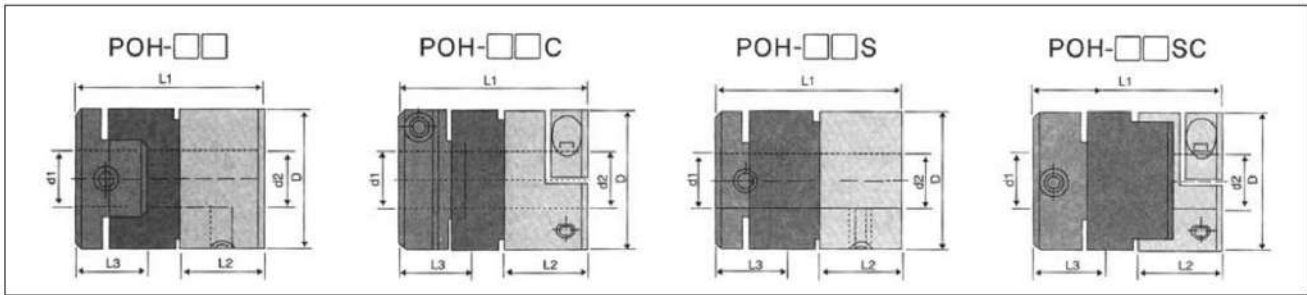


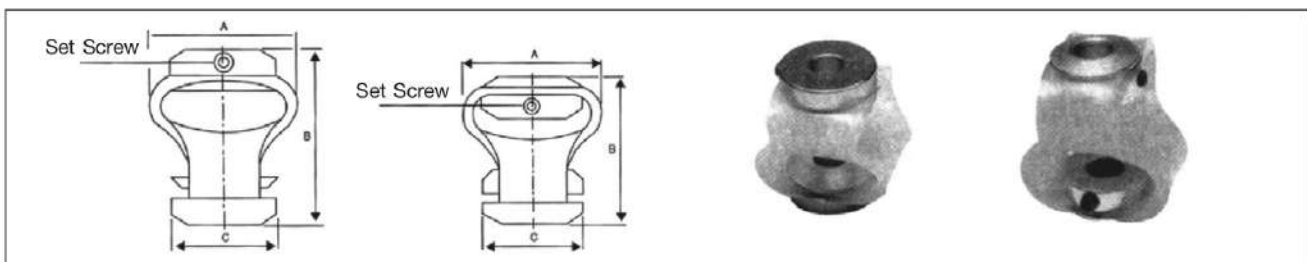


MICRO COUPLINGS



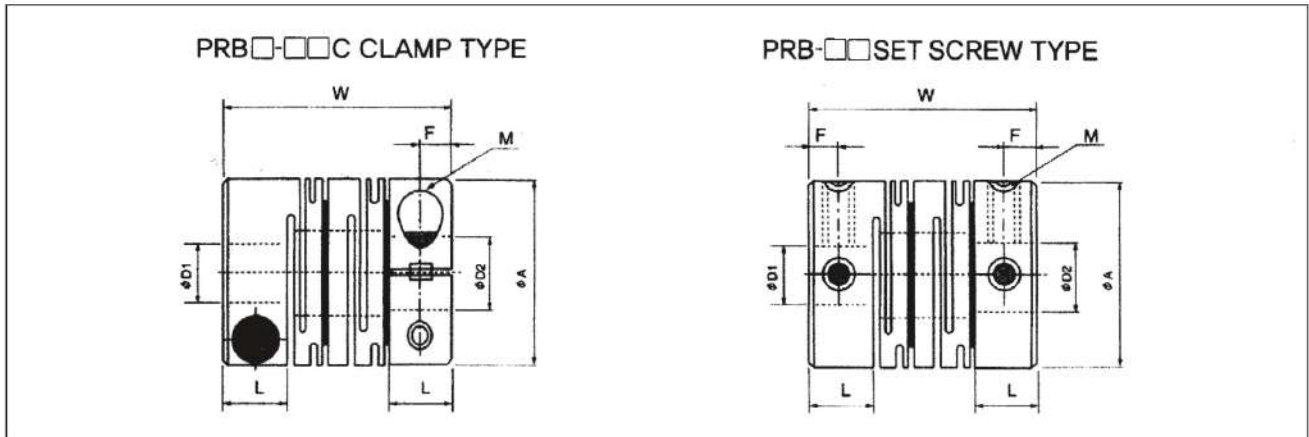
Size	Dimensions (mm)				Bolt No.	Weight (gr)	Max. Torque (kg-cm)	Basic Torque (kg-cm)	Twisting Hardness (kg-cm/deg)	Moment of inertia L : (kgf-cm) GD2 : (kgf-cm)	Max. Parallel	Max. Angle	Max. Rpm min	Standard Inner Diameter d1, d2
	D	L1	L2	L3										
POH-16	16	18	8	8	M3	7	70.2	15	12.4	2.4X10 ⁻³ (0.009)	1.2	2°30'	7,000	Ø3 ~ 6
POH-20	20	20	8.9	8.9	M4	14	130.0	30	20.2	7.4X10 ⁻³ (0.029)	1.8	2°30'	5,900	Ø5 ~ 8
POH-25	25.5	25.5	11.6	11.6	M4X2	20	190.8	56	36.8	1.7X10 ⁻² (0.07)	2.2	2°30'	4,800	Ø6 ~ 10
POH-32	32	32	14.5	14.5	M4X2	48	378.0	86	162.8	6.7X10 ⁻² (0.27)	2.8	2°30'	4,000	Ø8 ~ 12
POH-43	43	52	24	24	M5X2	160	530.6	180	210.6	0.39 (1.59)	3.5	2°30'	3,600	Ø10 ~ 16
POH-53	53	58	27	27	M5X2	252	742.2	260	319.4	0.99 (3.95)	4.5	2°30'	3,100	Ø15 ~ 25
POH-57	57	77	36.5	36.5	M8X2	390	900.2	350	400.6	1.77 (7.1)	5.5	2°30'	2,700	Ø15 ~ 30
POH-16C	16	23.6	10.7	10.7	M2.6	9	70.2	15	12.4	3.06X10 ⁻³ (0.012)	1.2	2°30'	7,000	Ø3 ~ 6
POH-20C	20	25.5	11.6	11.6	M2.6	16	130.0	30	20.2	8.5X10 ⁻³ (0.084)	1.8	2°30'	5,900	Ø5 ~ 8
POH-25C	25.5	32	14.8	14.8	M3	34	198.8	56	36.8	2.9X10 ⁻² (0.12)	2.2	2°30'	4,800	Ø6 ~ 10
POH-32C	32	45	21	21	M4	80	378.0	86	162.8	0.15 (0.45)	2.8	2°30'	4,000	Ø8 ~ 12
POH-43C	43	52	24	24	M5	160	530.6	180	210.6	0.39 (1.59)	3.5	2°30'	3,600	Ø10 ~ 16
POH-53C	53	58	27	27	M5	252	742.2	260	319.4	0.99 (3.95)	4.5	2°30'	3,100	Ø15 ~ 25
POH-57C	57	77	36.5	36.5	M6	390	900.2	350	400.6	1.77 (7.11)	5.5	2°30'	2,700	Ø15 ~ 28
POH-16S	16	21	10.7	8	M3	7.5	70.2	15	12.4	2.6X10 ⁻³ (0.01)	1.2	2°30'		
POH-20S	20	22.8	11.6	8.9	M4	15.3	130.0	30	20.2	8.1X10 ⁻² (0.032)	1.8	2°30'		
POH-25S	25.5	28.8	14.8	11.6	M4X2	27	190.8	56	36.8	2.3X10 ⁻² (0.092)	2.2	2°30'		
POH-32S	32	38.5	21	14.5	M4X2	70	378.0	86	162.8	9.8X10 ⁻² (0.39)	2.8	2°30'		
POH-16SC	16	21	10.7	8	M3	7.5	70.2	15	12.4	2.6X10 ⁻³ (0.01)	1.2	2°30'		
POH-20SC	20	22.8	11.6	8.9	M4	15.3	98.8	30	20.2	8.1X10 ⁻³ (0.032)	1.8	2°30'		
POH-25SC	25.5	28.8	14.8	11.6	M4X2	27	130.0	56	36.8	2.3X10 ⁻² (0.092)	2.2	2°30'		
POH-32SC	32	38.5	21	14.5	M4X2	70	378.0	86	162.8	9.8X10 ⁻² (0.39)	2.8	2°30'		

Flexible Coupling



Size	Dimensions (mm)			Weight (gr)	May speed (rpm)	Max. Torque (kgf-cm)	Angle (±°)	Parallel (±mm)	End Play (±mm)	Standard Inner Diameter d1, d2
	A	B	C							
RFC-29	29	28	18	19	3,000	3.5	10°	2	1.5	Ø6 ~ Ø8
RFC-38	38	35	22.5	38	3,000	3.5	12.5°	2.5	2	Ø6 ~ Ø12
RFC-48	48	50	26	60	3,000	18	15°	3	3	Ø8 ~ Ø14
RFC-54	54	58	29.5	140	3,000	45	15°	3.5	3	Ø10 ~ Ø16

HELICAL COUPLING



Size	Dimensions (mm)					Weight (gr)	Moment of inertia (kg.m ²)	Max. rpm (rpm)	Rated Torque (kgf.cm)	Max. Torque (kg-cm)	Torsional stiffness (Nm/rad)	Errors of Misalignment		
	A	L	W	F	M							Angle (°)	parallel (mm)	End-Play (mm)
PRB-16C	16	6.1	21.5	3.05	2.6	8.5	31X10 ⁷	12,000	4	8	65	2	0.15	0.3
PRB-19C	19.1	6.1	23	3.05	2.6	12	6.5X10 ⁷	9,500	6	12	140	2	0.15	0.4
PRB-22C	22.2	7.2	26.5	3.6	3	19	1.4X10 ⁶	8,500	10	20	170	2	0.15	0.4
PRB-26C	26.2	7.4	31.4	3.7	3	33	3.2X10 ⁶	7,500	15	30	240	2	0.2	0.5
PRBA-32C	32	9.4	39	4.7	4	60	9.1X10 ⁶	6,500	26	52	400	2	0.23	0.5
PRBB-32C	32	9.4	44	4.7	4	68	1.1X10 ⁵	6,000	26	52	380	2	0.25	0.5
PRBA-39C	39	10.5	43	5.35	5	95	2.2X10 ⁵	5,000	65	130	520	2	0.2	0.5
PRBB-39C	39	16	56	5.35	5	135	3.1X10 ⁵	4,100	65	130	460	2	0.2	0.5
PRB-16	16	4.6	18.5	2.3	3	7.8	2.8X10 ⁷	30,000	4	8	65	2	0.15	0.3
PRB-19	19.1	5.7	22	2.8	3	12	6.5X10 ⁷	25,000	6	12	140	2	0.15	0.4
PRB-22	22.2	6.5	25	3.25	4	19	1.4X10 ⁶	20,000	10	20	170	2	0.15	0.4
PRB-26	26.2	6.8	30	3.4	4	33	3.2X10 ⁶	17,000	15	30	240	2	0.2	0.5
PRB-32	32	9.4	39	4.7	5	62	9.4X10 ⁶	15,000	26	52	400	2	0.23	0.5
PRB-39	39	16	56	6	5	124	3X10 ⁵	9,600	65	130	460	2	0.2	0.5

Size	Dimensions (mm)													Product No.	Dimensions (mm)												
	Ø4	Ø5	Ø6	Ø8	Ø1	Ø11	Ø12	Ø14	Ø15	Ø16	Ø18	Ø19	Ø4		Ø5	Ø6	Ø8	Ø1	Ø11	Ø12	Ø14	Ø15	Ø16	Ø18	Ø19		
PRB-16C	•	•	•										PRB-16C	•	•	•											
PRB-19C		•	•	•									PRB-19C		•	•	•										
PRB-22C		•	•	•									PRB-22C		•	•	•										
PRB-26C			•	•	•								PRB-26C			•	•	•									
PRBA-32C			•	•	•	•	•						PRBA-32C			•	•	•	•	•							
PRBB-32C				•	•	•																					
PRBA-39C					•	•	•	•	•	•	•	•															
PRBB-39C						•	•	•	•	•	•	•	PRBB-39C					•	•	•	•	•	•	•	•		